

PLAN OF SPILLYWAY LAKE JOHANNA

RAMSEY CO., MINN.

OFFICE OF CO. SURVEYOR
HARRY S. BRONSON

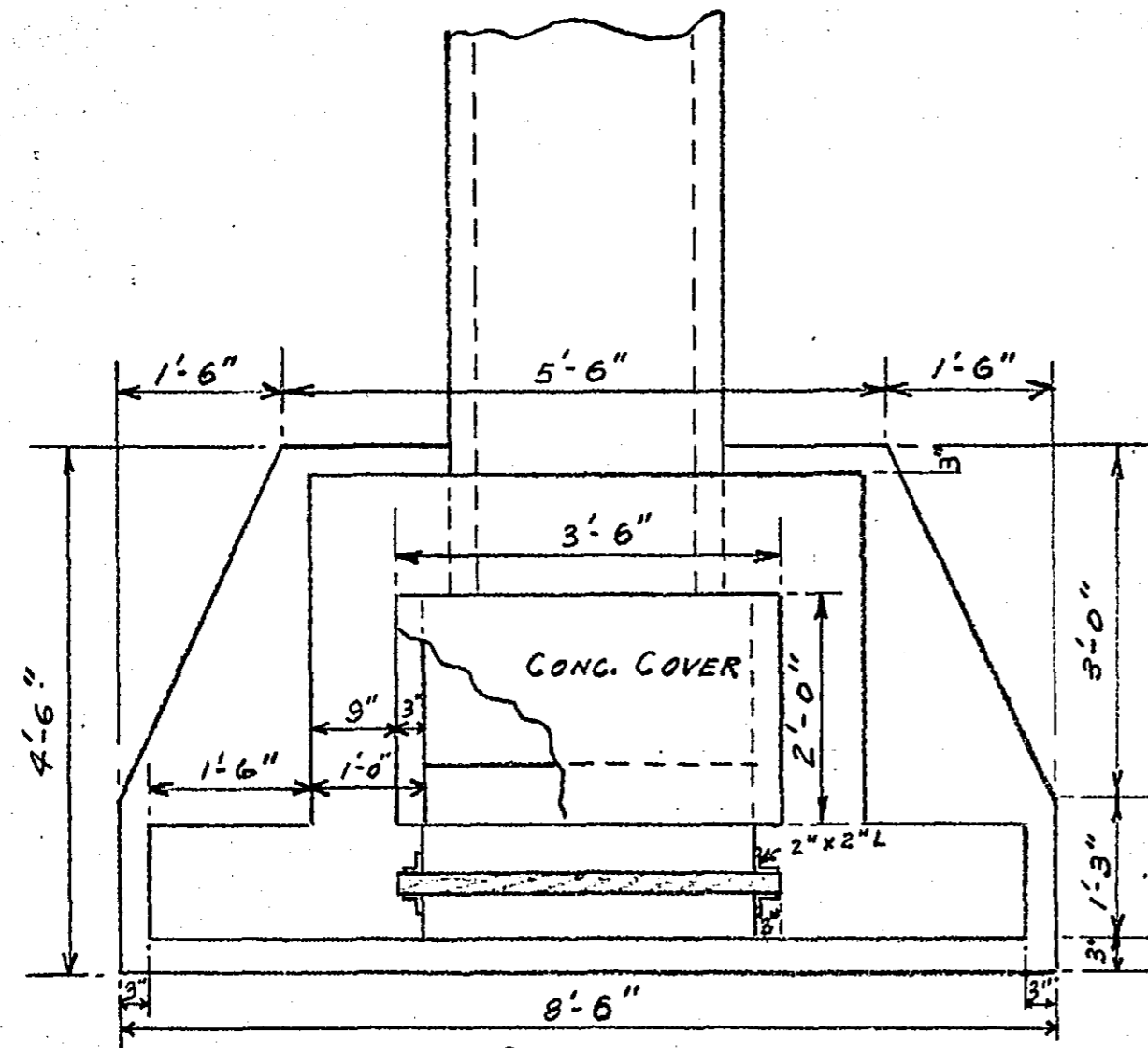
SCALE: 1/2" = 1'

JULY, 1943

DESIGNED BY: A.Y. LINDAHL
LAKE IMPROVEMENT ENGR.

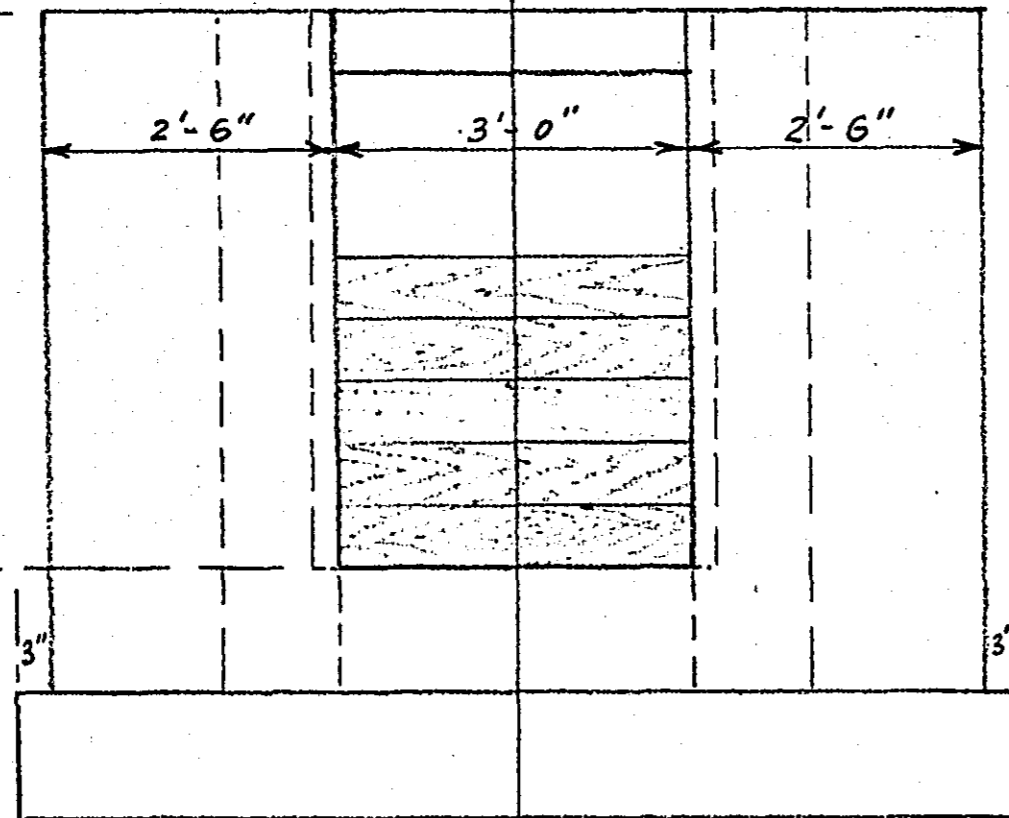
APPROVED *[Signature]*
ACTING Co. SURVEYOR

4.25 C.Y. 6 BAG CONCRETE



PLAN
"A"

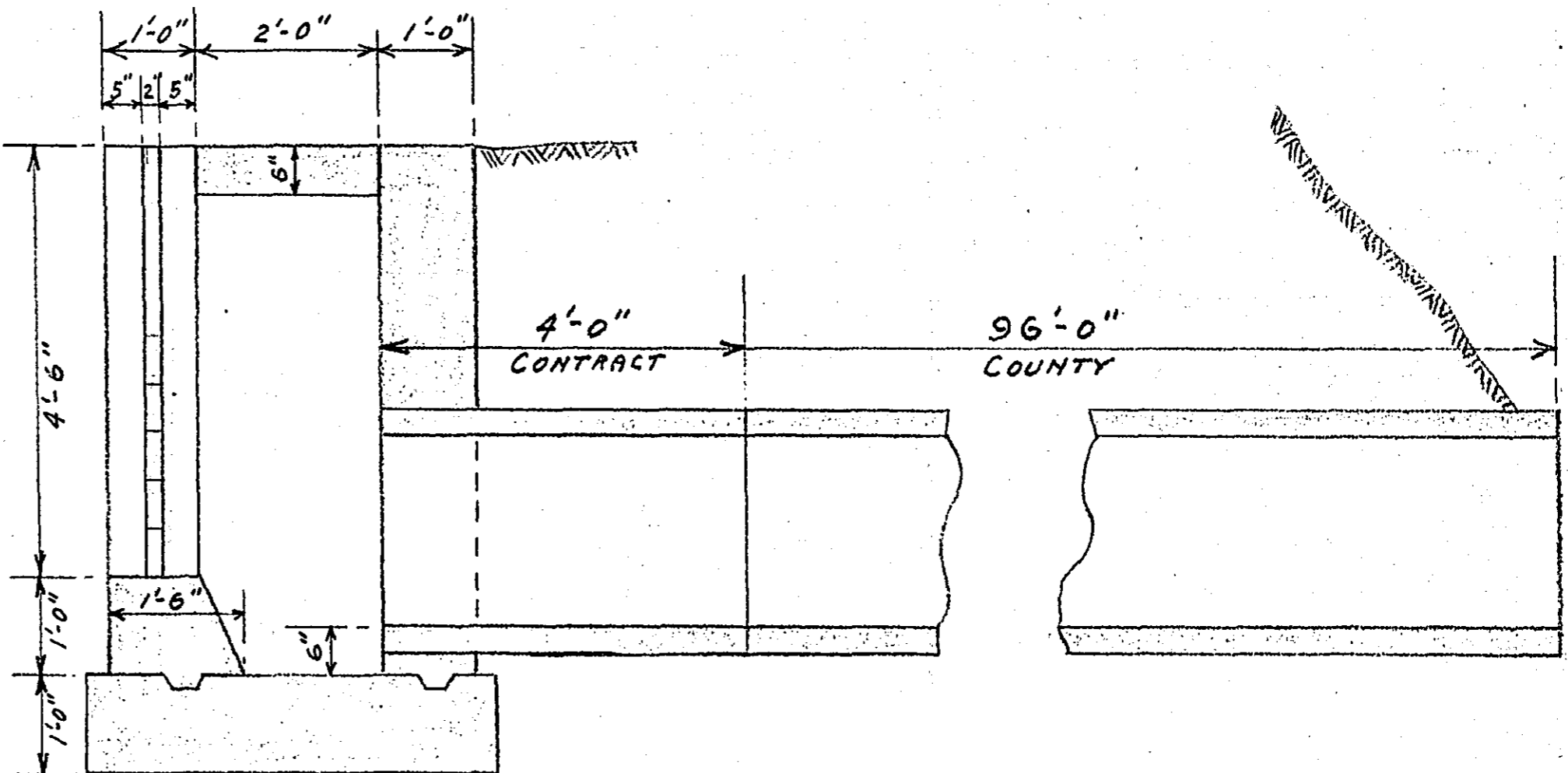
ELEV. 882.00



ELEV. 877.50
NORMAL H.Y.

ELEV. 875.50

FRONT ELEVATION



SECTION-A-A

MICROFILMED
RAMSEY CO. ENGR.