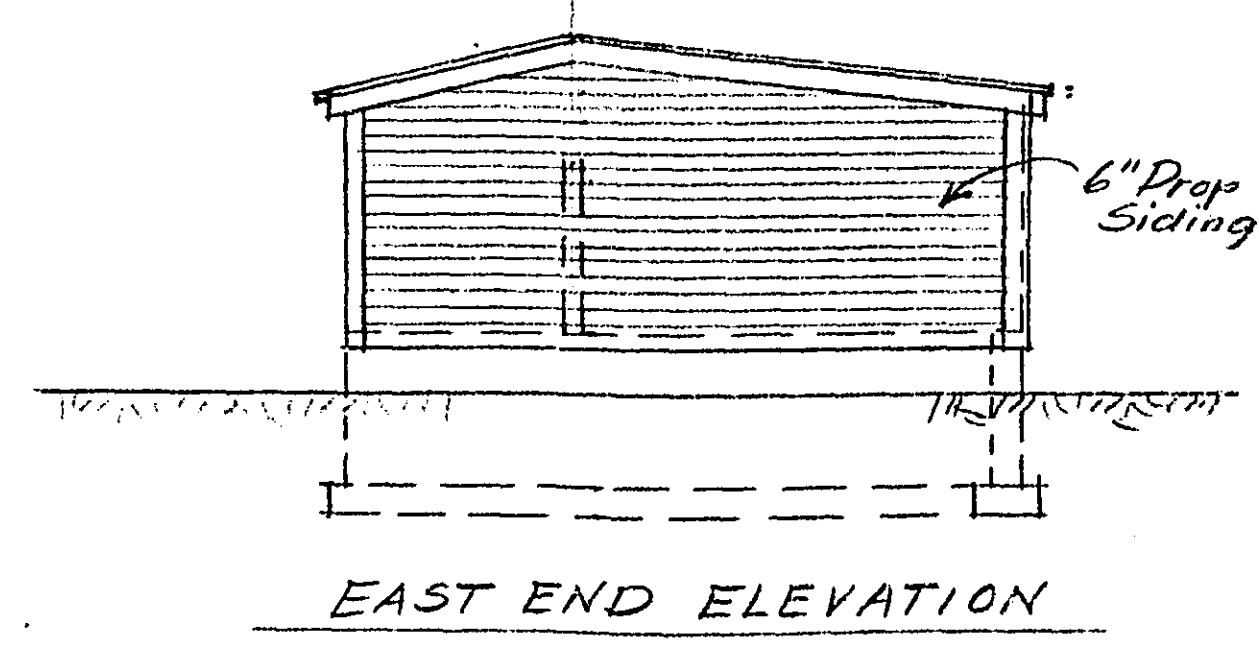
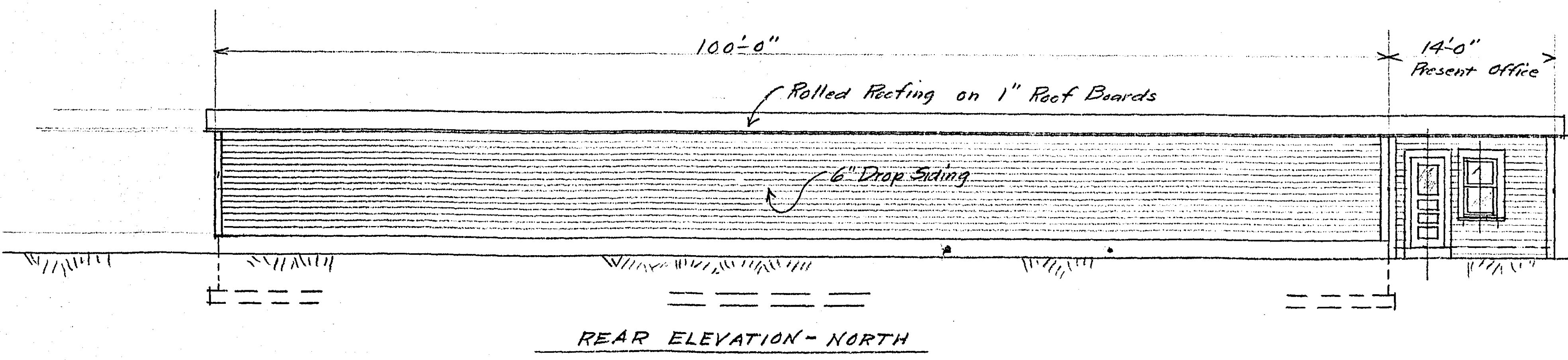
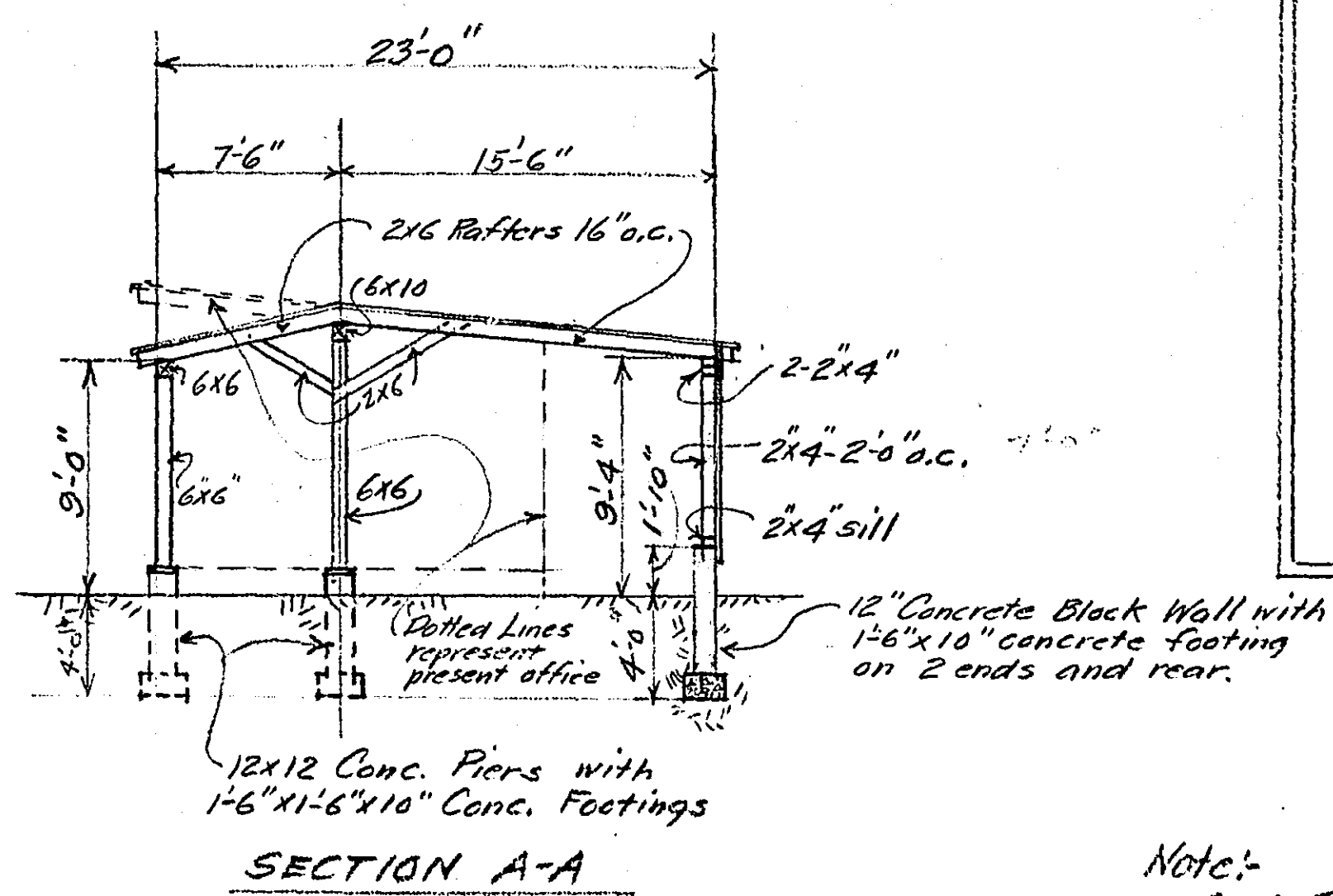
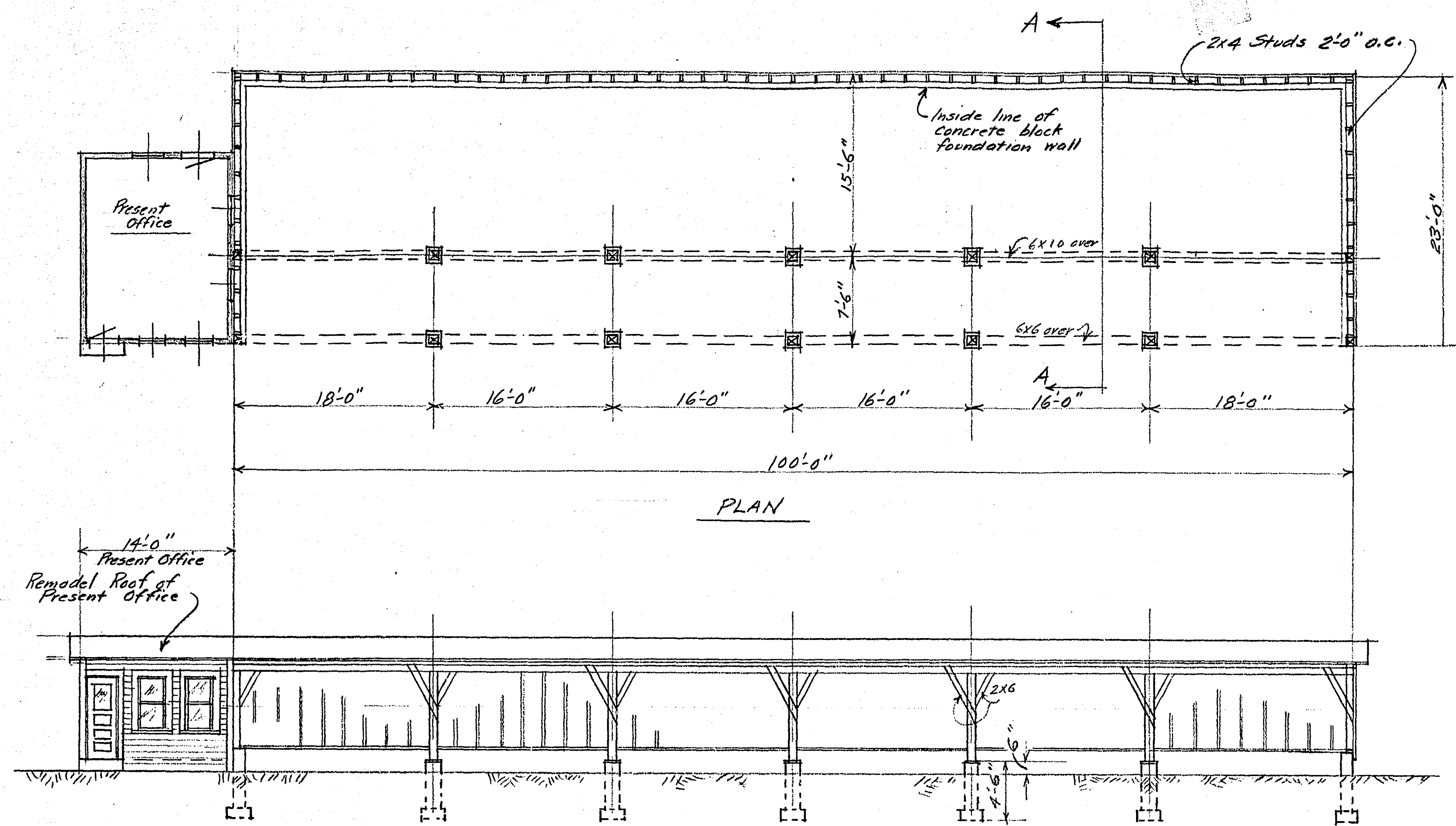


BILL OF MATERIAL

2.0 C.Y. 1-2-4 CONC.	COLUMN FOOTINGS
6.8 C.Y. 1-3-5 "	WALL "
750 8"x12"x16"	CONCRETE BLOCKS
28 " (CORNER)	" "
37 Pcs. 2"x4"x14'	STUDS
450 L.F. 2"x4"	SILLS & TOP OF STUDS
2 Pcs. 4"x4"x10'	É POSTS
6 " 4"x4"x12'	" " BEACE
1 " 4"x4"x14'	FRONT POSTS
5 " 6"x6"x8'	" "
5 " 6"x6"x10'	É POSTS
4 " 6"x6"x16'	ROOF BEAM-FRONT
2 " 6"x6"x18'	" "
4 " 6"x10"x16'	ROOF BEAM-É
2 " 6"x10"x18'	" "
78 " 2"x6"x8'	RAFTERS
5 " 2"x6"x10'	É POST BRACES
6 " 2"x6"x12'	FRONT "
78 " 2"x6"x16'	RAFTERS
2900 B.F. 1" x 8"	ROOF
1550 B.F. 6" DROP SIDING	
27 SQUARES ROLL ROOFING	
8 GAL. OUTSIDE PAINT	
2 " LINSEED OIL	
1 " TURPENTINE	
10- 1/2" Φ 10" W.I. PINS.	NAILS-ETC.
20- 1/2" x 8" M. BOLTS WITH NUT & 2 WASHERS	



Note:-
 6x6 Posts to have 1/2" dowels at bottoms extending 4" into posts and 6" into concrete. Dowels to be 1/2" Φ x 10" W.I. Pins.
 2x4 Sill for support of 2x4 Studs to be bolted to top of concrete block wall with 1/2" Φ x 8" M. Bolts every 8'-0" o.c. Bolts to be embedded in masonry.

PROPOSED FRAME SHED
 FOR
 RAMSEY COUNTY ASPHALT PLANT
 SCALE 1/8" = 1'-0"
 OCT. 1939
 Henry A. Branson
 COUNTY SURVEYOR