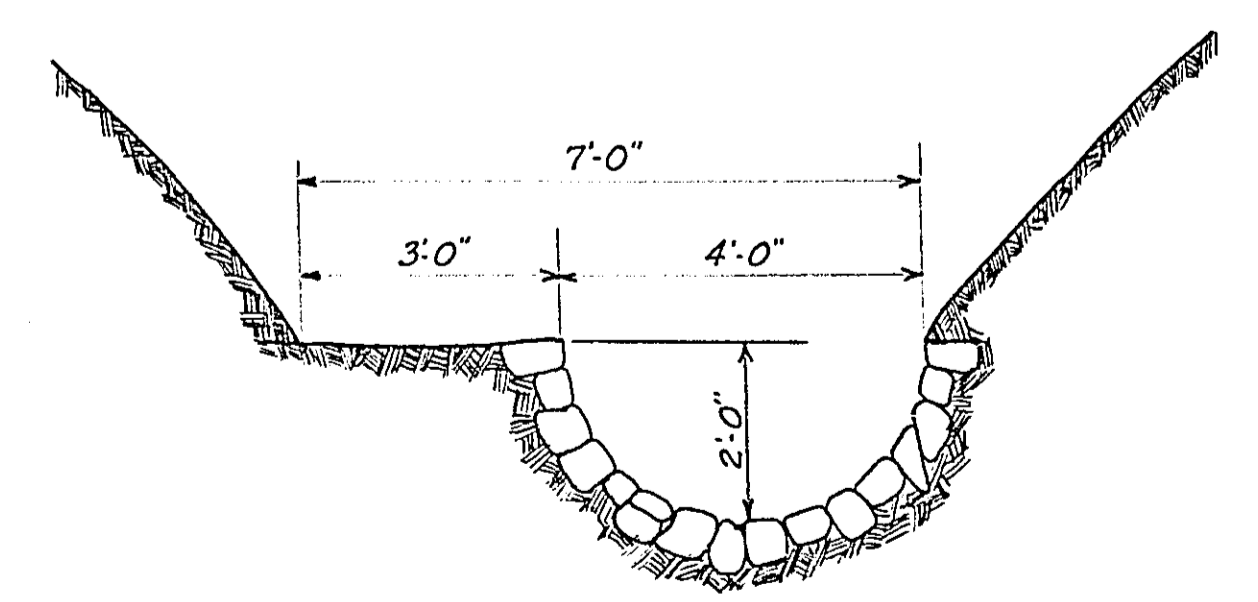
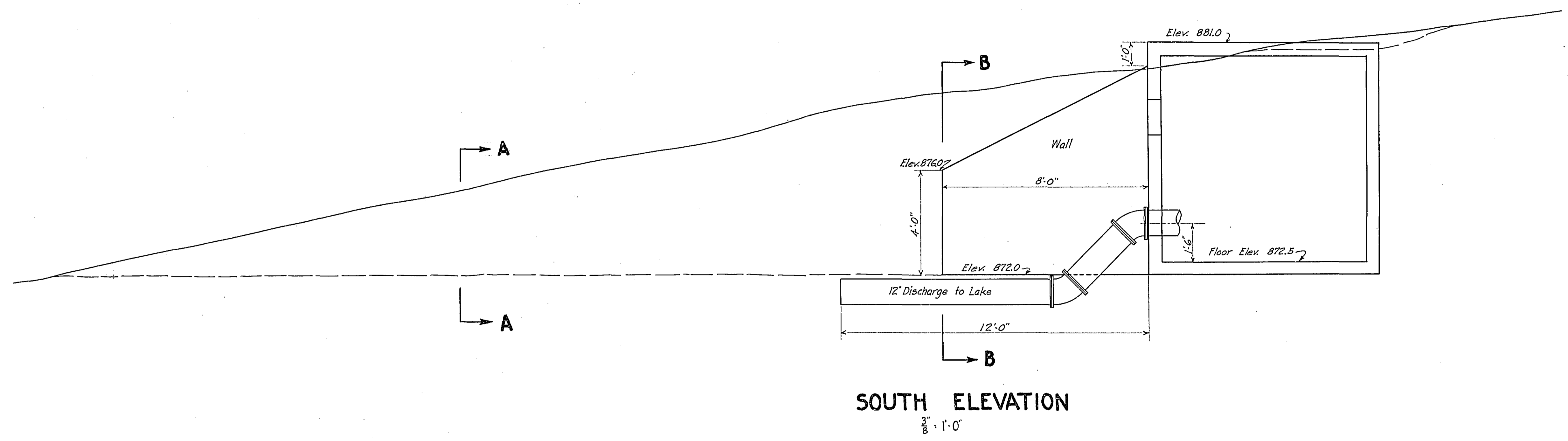
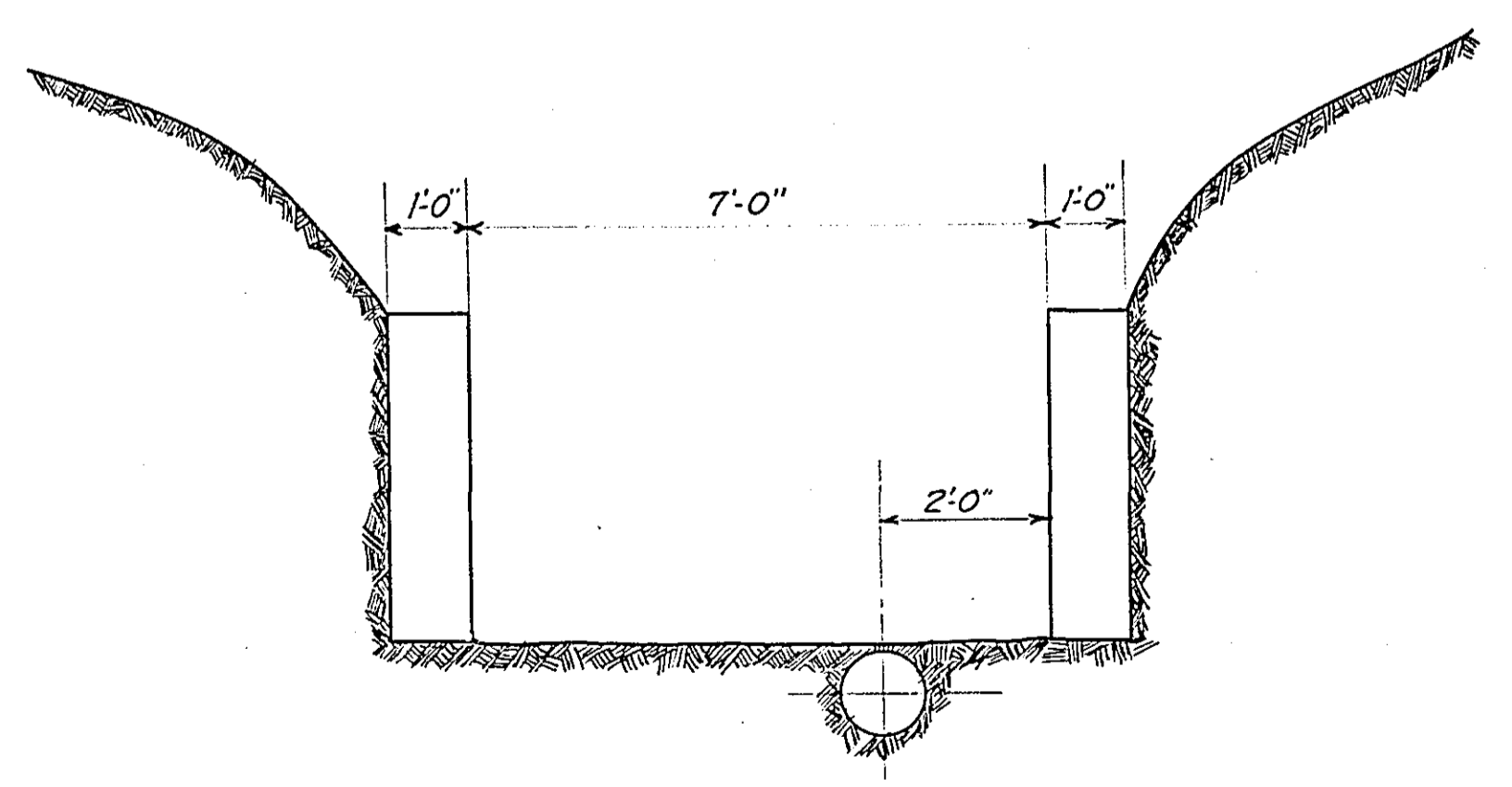


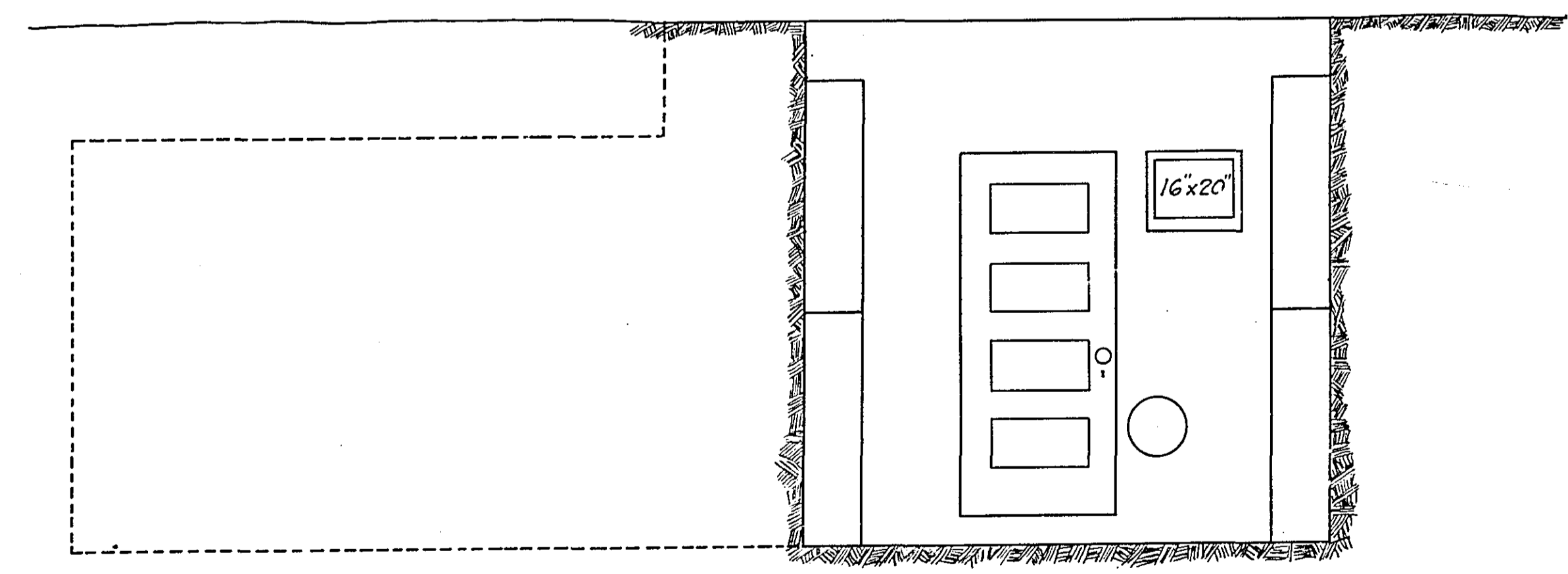
*Keller*  
**PLAN OF  
 LAKE GERVAIS REINFORCED CONCRETE PUMP HOUSE  
 SHOWING  
 WATER CONNECTION DETAILS**  
 SCALE: 1"=1'-0"      MAY 1932



**SEC. A-A**  
 $\frac{3}{8} = 1'-0"$



**SEC. B-B  
 AT END OF WALL**  
 $\frac{3}{8} = 1'-0"$



**WEST ELEVATION**  
 $\frac{3}{8} = 1'-0"$

*Keller Pump*