

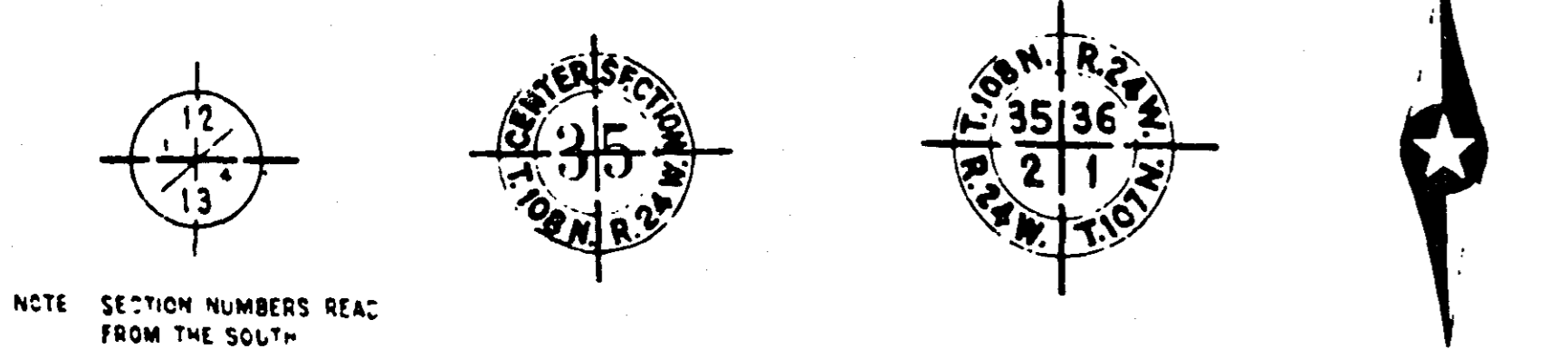
OFFICE OF COUNTY ENGINEER
 RAMSEY COUNTY
 CONSTRUCTION PLAN FOR
GENERATOR ROOM AND PISTOL RANGE
 LOCATED AT 3377 NO. RICE ST. IN SECTION 36, T. 30 N., R. 23 W.

PLANS SYMBOLS

STATE LINE	SPRINGS
COUNTY LINE	MARSH
TOWNSHIP OR RANGE LINE	TIMBER
SECTION LINE	ORCHARD
QUARTER LINE	BRUSH
SIXTEENTH LINE	NURSERY
RIGHT-OF-WAY LINE	CATCH BASIN
PRESENT RIGHT-OF-WAY LINE	FIRE HYDRANT
CONTROL OF ACCESS LINE	CATTLE GUARD
PROPERTY LINE (Except Land Lines)	OVERPASS (Highway Over)
VACATED PLATTED PROPERTY	UNDERPASS (Highway Under)
CORPORATE OR CITY LIMITS	BRIDGE
TRUNK HIGHWAY CENTER LINE	BUILDING (One Story Frame)
RETAINING WALL	F-FRAME C-CONCRETE
RAILROAD	S-STONE T-TILE
RAILROAD RIGHT-OF-WAY LINE	B-BRICK ST-STUCCO
RIVER OR CREEK	IRON PIPE OR ROD
DRY RUN	MONUMENT (STONE, CONCRETE, OR METAL)
DRAINAGE DITCH	WOODEN HUB
DRAIN TILE	GRAVEL PIT
CULVERT	SAND PIT
DROP INLET	BORROW PIT
GUARD RAIL	ROCK QUARRY
BARBED WIRE FENCE	
WOVEN WIRE FENCE	
CHAIN LINK FENCE	
RAILROAD SNOW FENCE	
STONE WALL OR FENCE	
HEDGE	
RAILROAD CROSSING SIGN	
RAILROAD CROSSING BELL	
ELECTRIC WARNING SIGN	
CROSSING GATE	
MEANDER CORNER	

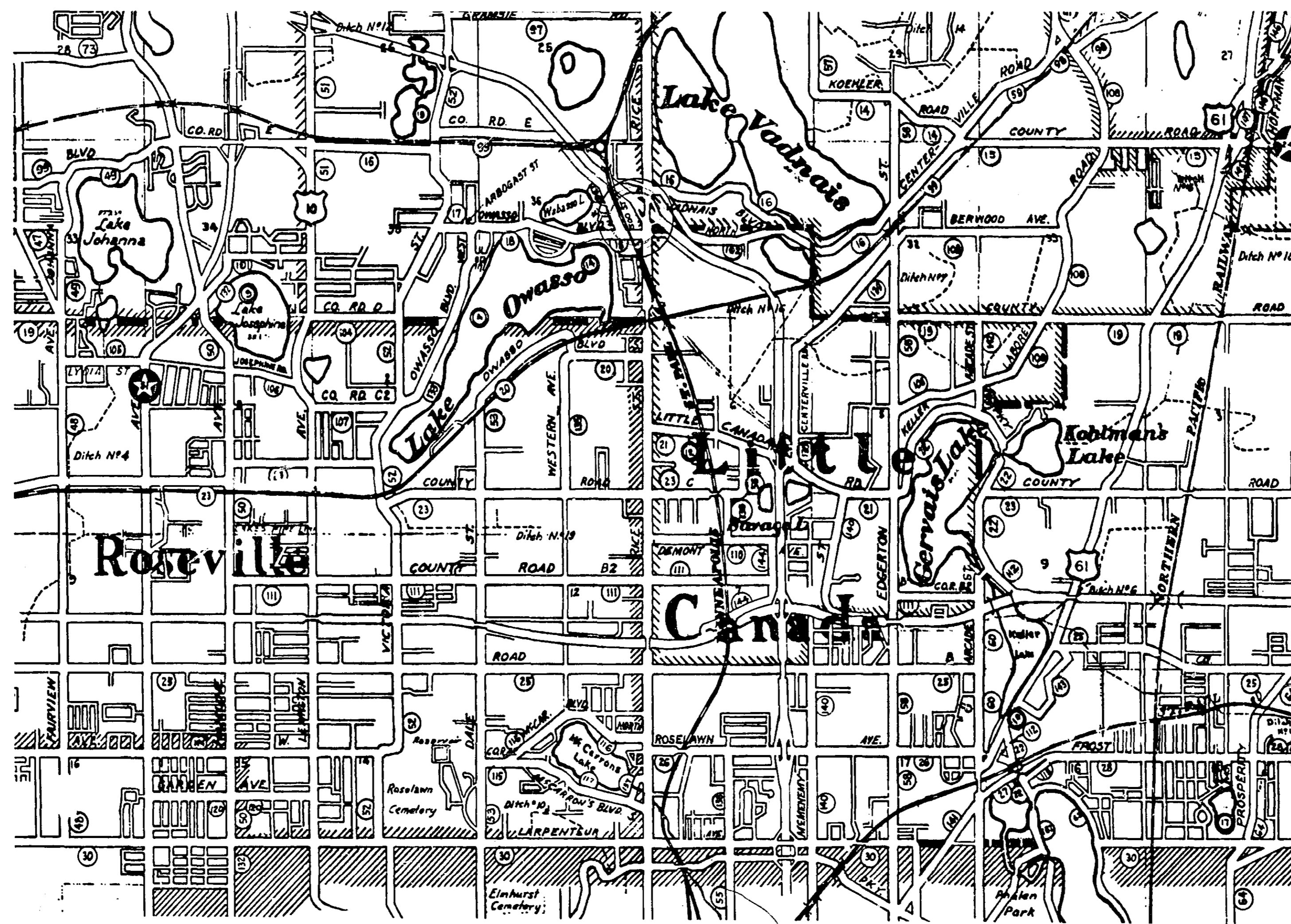
UTILITIES SYMBOLS

POWER POLE LINE	CONDUIT
TELEPHONE OR TELEGRAPH POLE LINE	TELEPHONE CABLE IN CONDUIT
JOINT TELEPHONE AND POWER OR POWER POLES ON TELEPHONE POLES	ELECTRIC CABLE IN CONDUIT
ANCHOR	TELEPHONE MANHOLE
STEEL TOWER	ELECTRIC MANHOLE
STREET LIGHT	BURIED TELEPHONE CABLE
PEDESTAL (TELEPHONE CABLE TERMINAL)	BURIED ELECTRIC CABLE
GAS MAIN	AERIAL TELEPHONE CABLE
WATER MAIN	SEWER, (SANITARY OR STORM)
	SEWER MANHOLE



PIT DATA

PIT NO. _____	Located in _____
PIT NO. _____	Located in _____
PIT NO. _____	Located in _____
PIT NO. _____	Located in _____



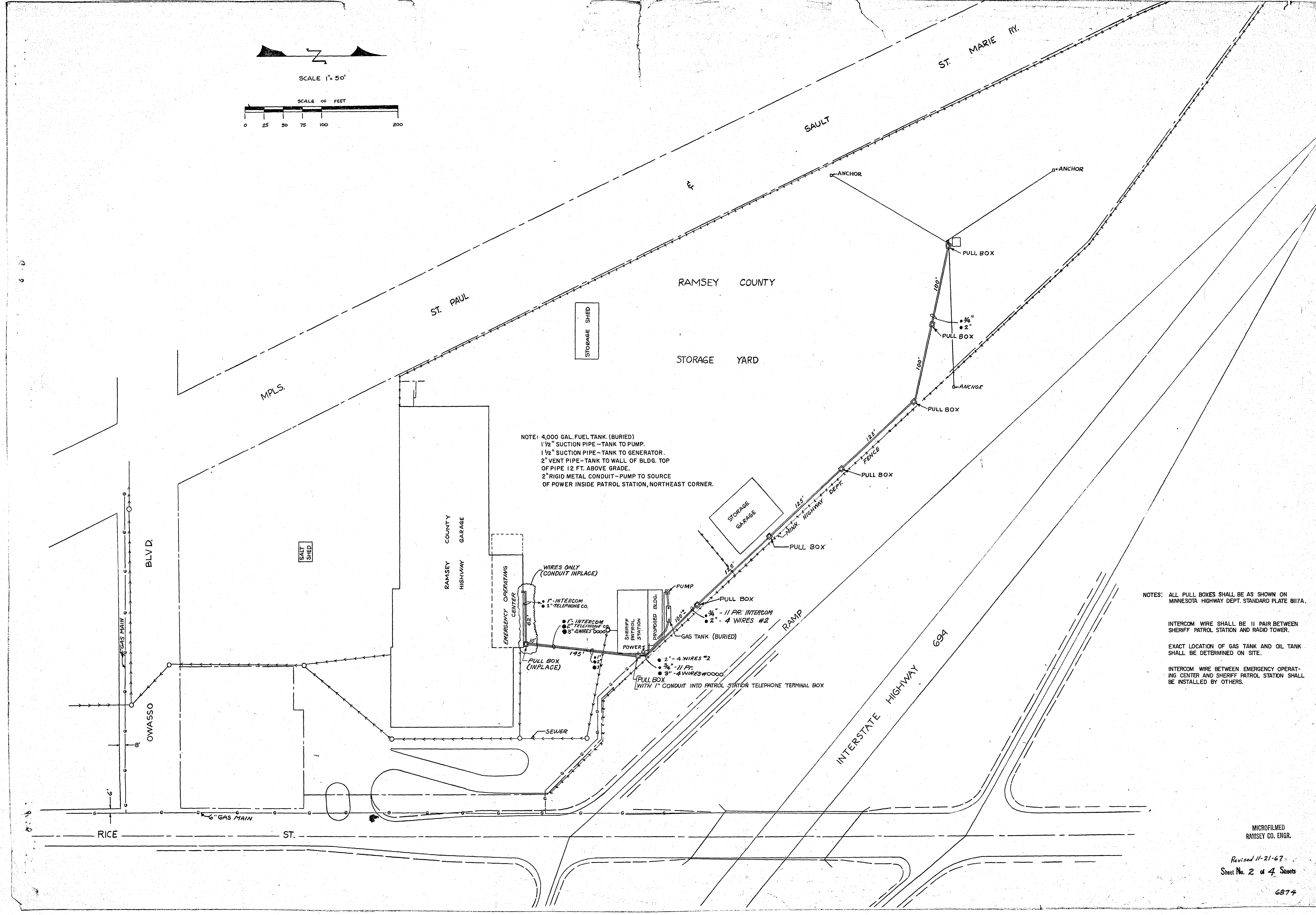
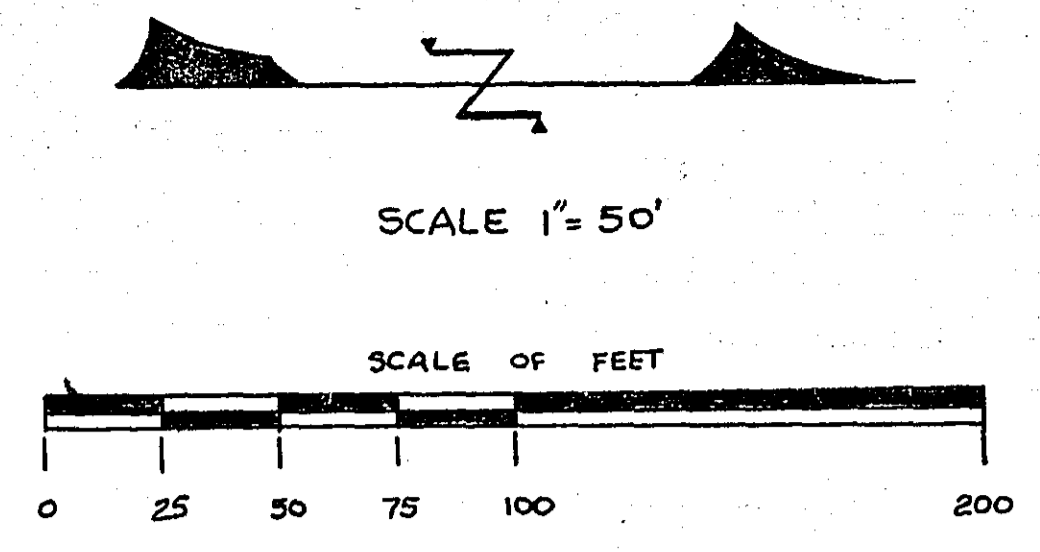
I HEREBY CERTIFY THAT THIS PLAN WAS PREPARED BY ME OR UNDER MY DIRECT SUPERVISION AND THAT I AM A DULY REGISTERED PROFESSIONAL ENGINEER UNDER THE LAWS OF THE STATE OF MINNESOTA.

ENGINEER *[Signature]* REG. NO. 6334 DATE 6/15/67

RECOMMENDED FOR APPROVAL *[Signature]* DATE 7/19/67
 RAMSEY COUNTY ENGINEER

RECOMMENDED FOR APPROVAL *[Signature]* DATE 7/20/67
 RAMSEY CO. DIRECTOR OF CIVIL DEFENSE

APPROVAL *[Signature]* DATE 7/31/67
 VICE-CHAIRMAN OF THE RAMSEY CO. BOARD



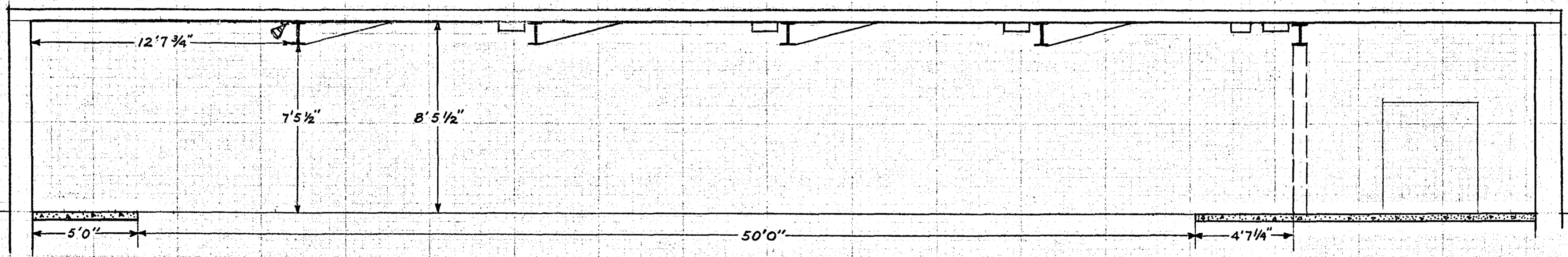
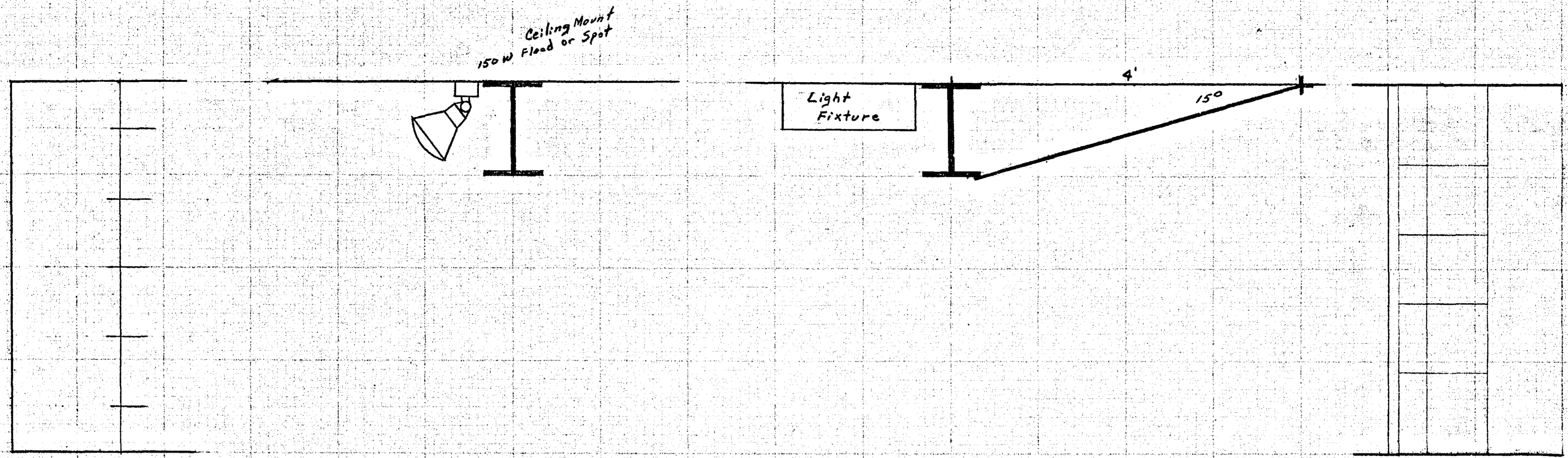
NOTE: 4,000 GAL. FUEL TANK (BURIED)
 1 1/2" SUCTION PIPE - TANK TO PUMP.
 1 1/2" SUCTION PIPE - TANK TO GENERATOR.
 2" VENT PIPE - TANK TO WALL OF BLDG. TOP
 OF PIPE 12 FT. ABOVE GRADE.
 2" RIGID METAL CONDUIT - PUMP TO SOURCE
 OF POWER INSIDE PATROL STATION, NORTHEAST CORNER.

NOTES: ALL PULL BOXES SHALL BE AS SHOWN ON
 MINNESOTA HIGHWAY DEPT. STANDARD PLATE 8117A.

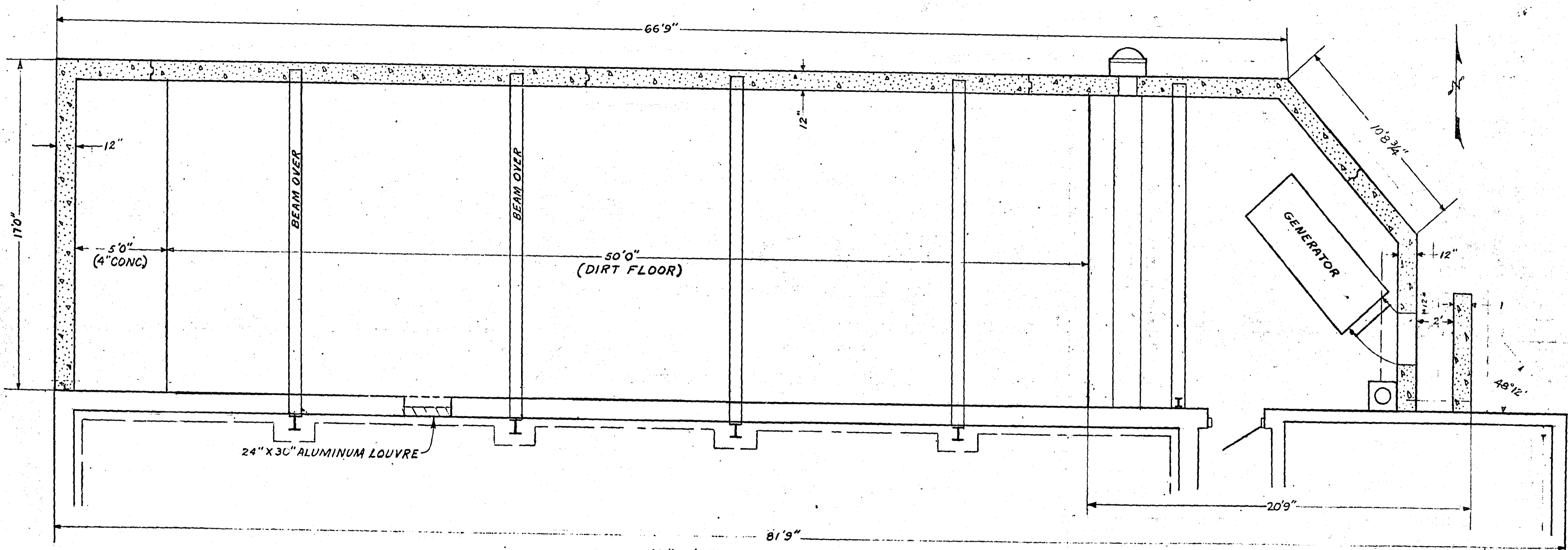
INTERCOM WIRE SHALL BE 11 PAIR BETWEEN
 SHERIFF PATROL STATION AND RADIO TOWER.

EXACT LOCATION OF GAS TANK AND OIL TANK
 SHALL BE DETERMINED ON SITE.

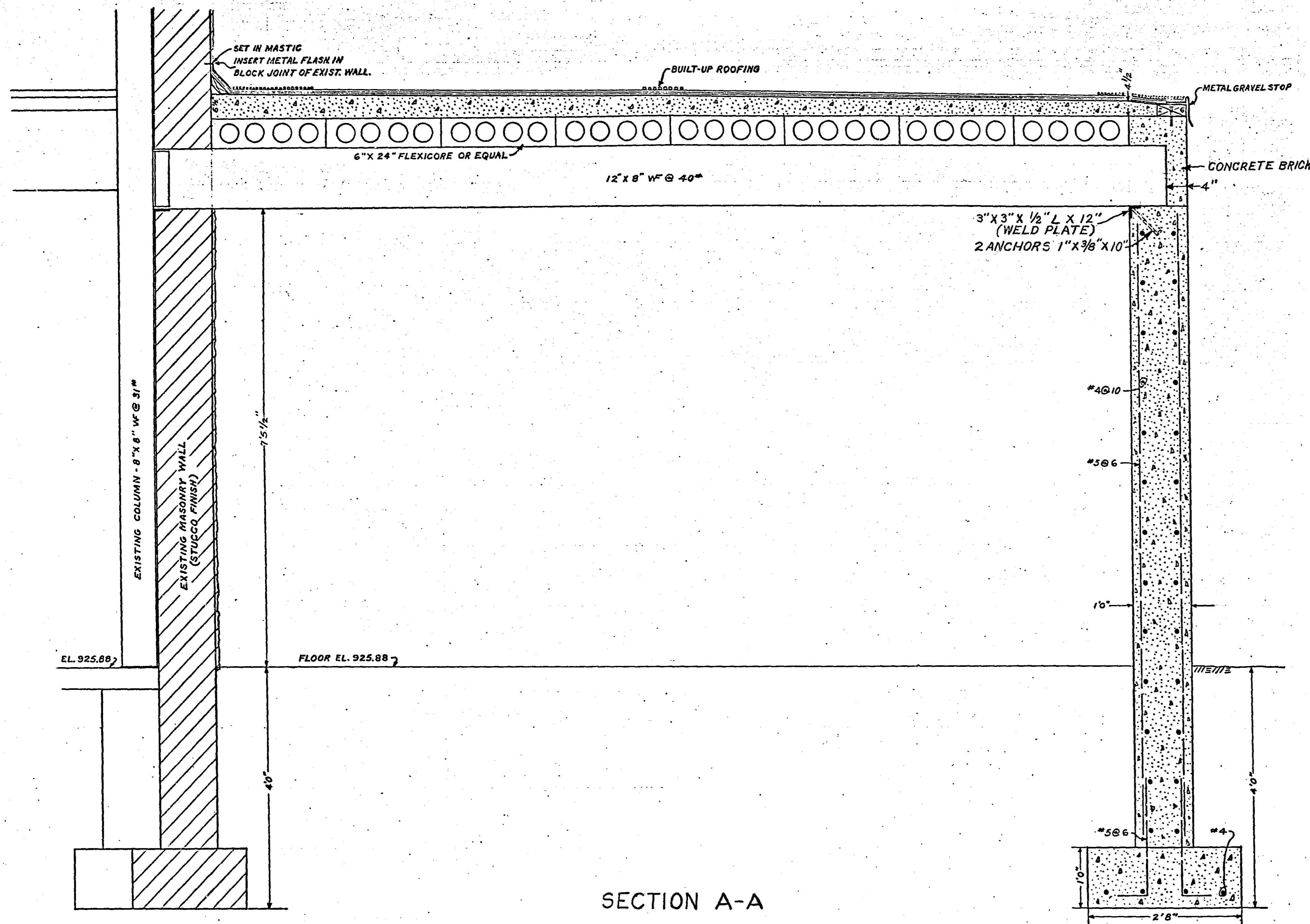
INTERCOM WIRE BETWEEN EMERGENCY OPERAT-
 ING CENTER AND SHERIFF PATROL STATION SHALL
 BE INSTALLED BY OTHERS.



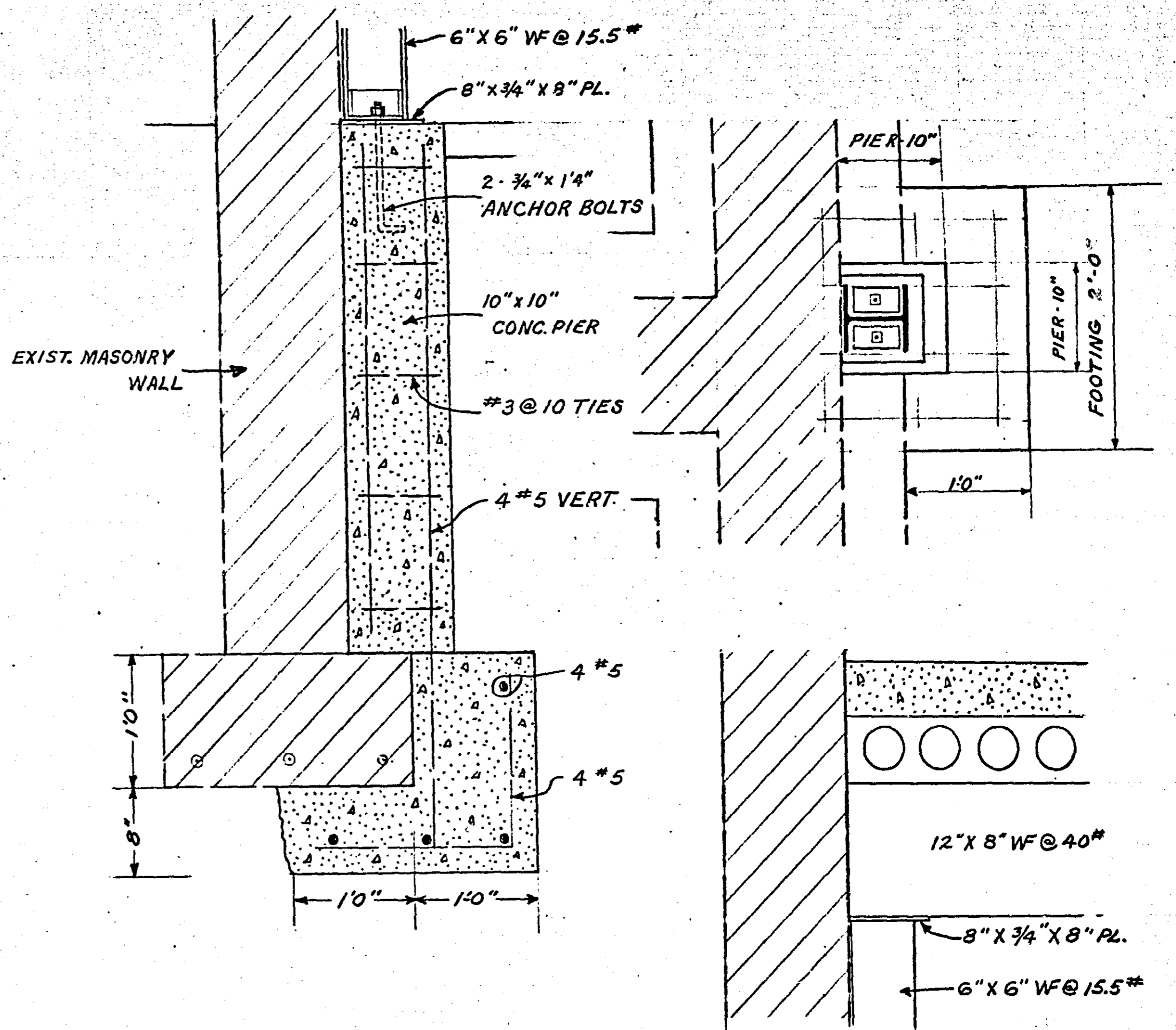
6874



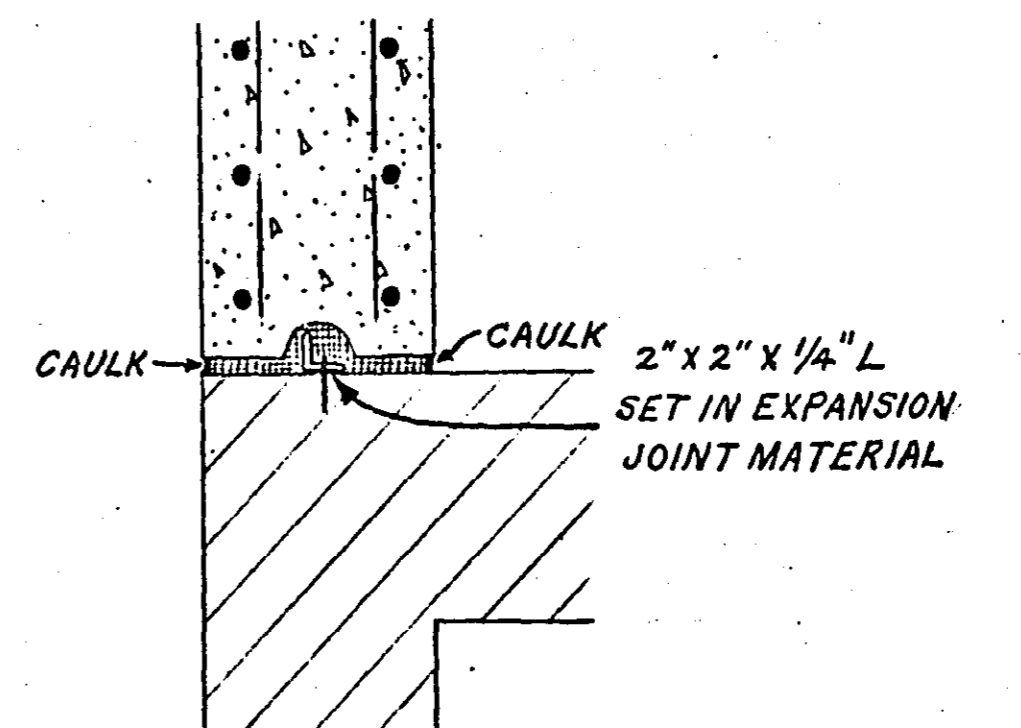
SCALE: 1/4" = 1'0"



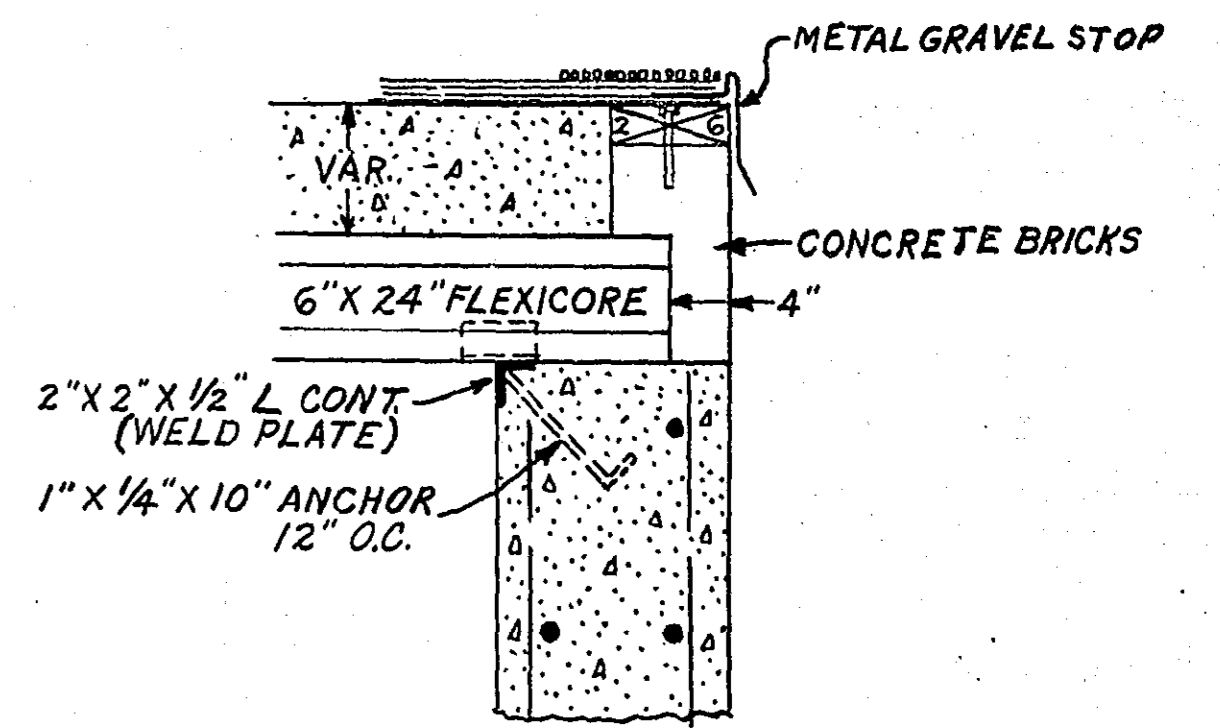
SECTION A-A



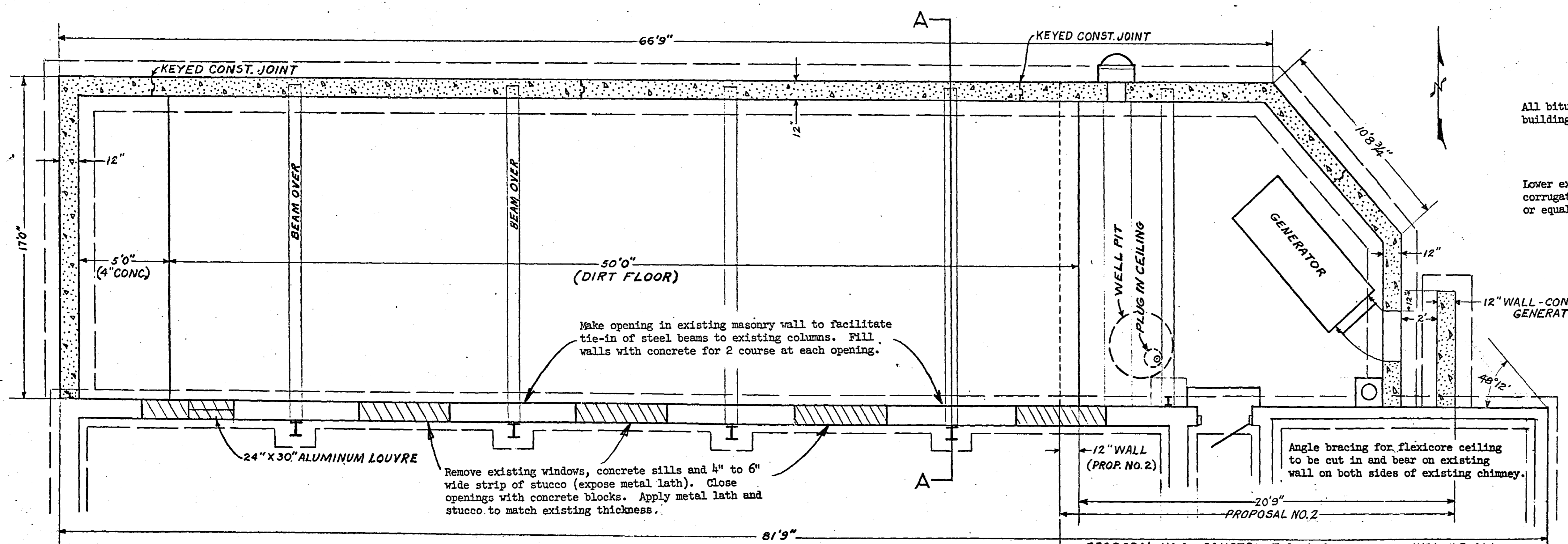
CONCRETE FOOTING, PIER, AND COLUMN DETAILS
SCALE 1" = 1'-0"



WALL EXP. JOINT DETAIL
SCALE 1" = 1'-0"



BEARING AND ANCHOR DETAIL
WEST AND EAST WALLS.



SCALE: 1/4" = 1'-0"

All bituminous surface materials shall be removed from the building location before any other excavation is started.

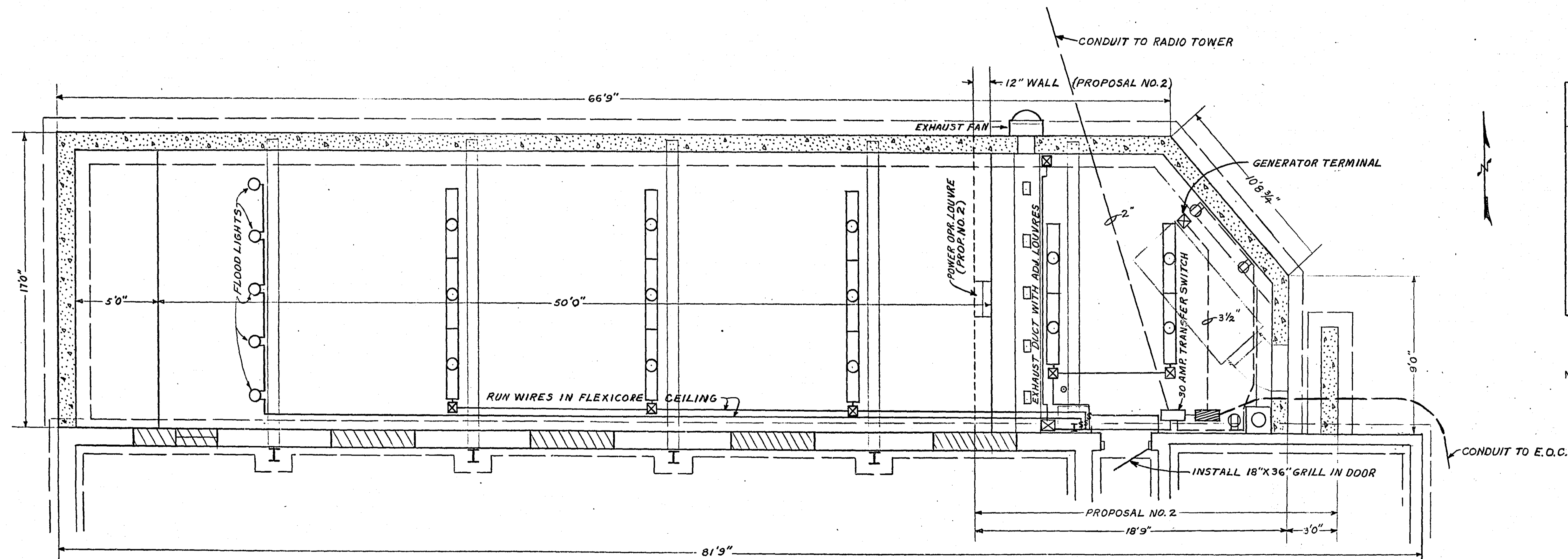
Lower existing well cap. Furnish and install well pit (42"x3') corrugated metal pipe with Neenah Foundry Co. Casting R-5902J or equal. Knock-out plug shall be located in ceiling above well.

Make opening in existing masonry wall to facilitate tie-in of steel beams to existing columns. Fill walls with concrete for 2 course at each opening.

Remove existing windows, concrete sills and 4" to 6" wide strip of stucco (expose metal lath). Close openings with concrete blocks. Apply metal lath and stucco to match existing thickness.

Angle bracing for flexicore ceiling to be cut in and bear on existing wall on both sides of existing chimney.

PROPOSAL NO.2: CONSTRUCT GENERATOR ROOM. INCLUDE ALL EQUIPMENT EXCEPT DUCT FOR AIR EXHAUST. INSTALL POWER OPERATED ALUMINUM LOUVRE (WITH SCREEN) IN 12" CONCRETE WALL TO BE CONSTRUCTED ALONG DASH LINE.



ELECTRICAL SYMBOLS	
	WALL MOUNTED FIXTURE
	FLOURESCENT FIXTURE
	DUPLEX RECEPICTAL OUTLET
	SINGLE POLE SWITCH
	JUNCTION BOX
	MOTOR CONTROL
	BURIED CONDUIT (IN BLDG.)
	EXPOSED CONDUIT (IN BLDG.)
	DISTRIBUTION POWER PANEL

NOTE: ALL CONDUIT IN BLDG. SHALL BE 1/2" EXCEPT WHERE SPECIFIED OTHERWISE.

SCALE: 1/4" = 1'0"

PROPOSAL NO. 2: CONSTRUCT GENERATOR ROOM. INCLUDE ALL EQUIPMENT EXCEPT DUCT FOR AIR EXHAUST. INSTALL POWER OPERATED ALUMINUM LOUVRE (WITH SCREEN) IN 12" CONCRETE WALL TO BE CONSTRUCTED ALONG DASH LINE.