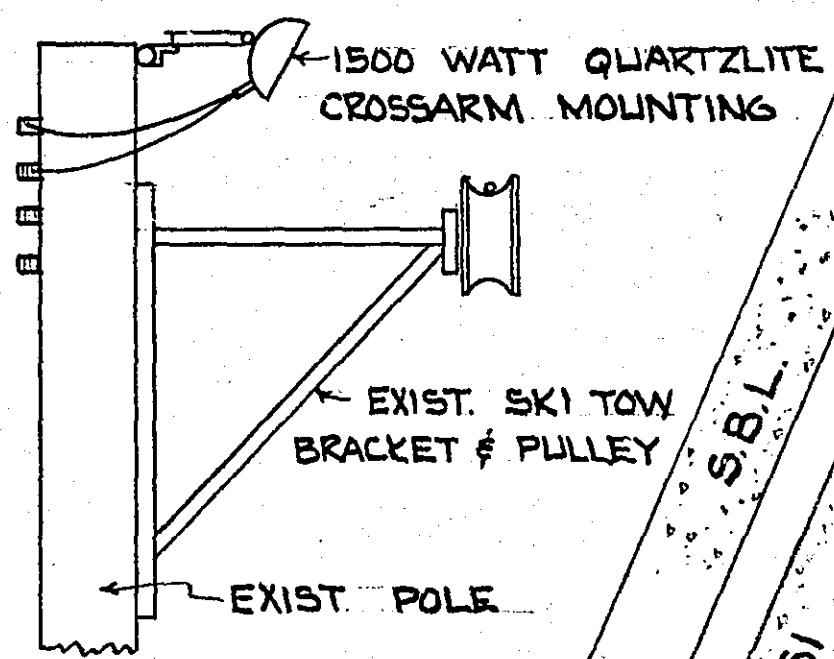
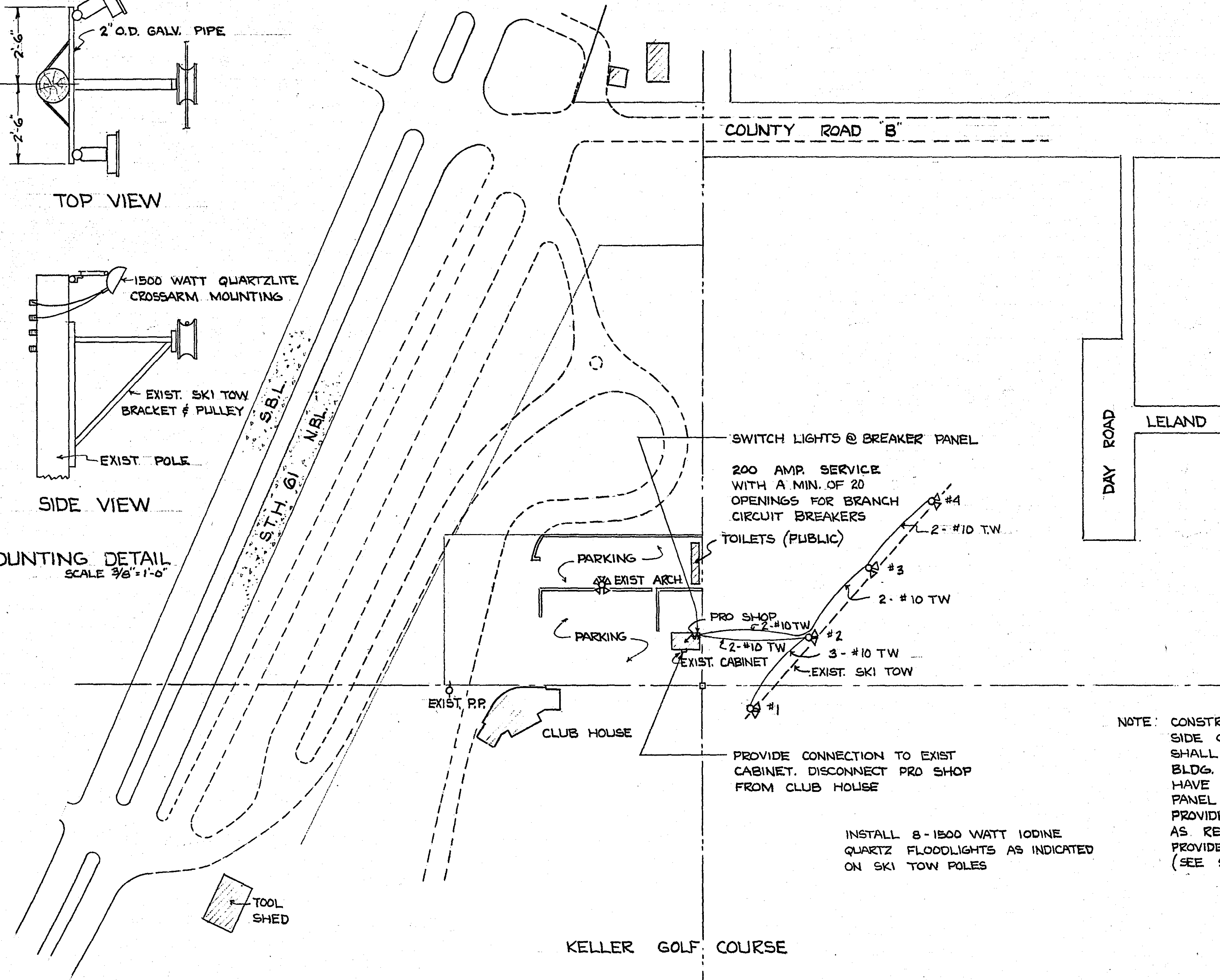


TOP VIEW



SIDE VIEW

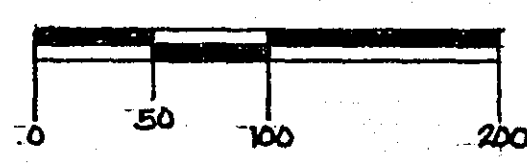
MOUNTING DETAIL
SCALE 3/8" = 1'-0"



COUNTY ROAD "B"

LELAND RD.

DAY ROAD



SCALE OF FEET

SCALE 1" = 100'

SWITCH LIGHTS @ BREAKER PANEL

200 AMP. SERVICE WITH A MIN. OF 20 OPENINGS FOR BRANCH CIRCUIT BREAKERS

TOILETS (PUBLIC)

PARKING

EXIST. ARCH.

PARKING

PRO SHOP

EXIST. CABINET

CLUB HOUSE

TOOL SHED

KELLER GOLF COURSE

PROVIDE CONNECTION TO EXIST CABINET. DISCONNECT PRO SHOP FROM CLUB HOUSE

INSTALL 8-1500 WATT IODINE QUARTZ FLOODLIGHTS AS INDICATED ON SKI TOW POLES

NOTE: CONSTRUCT NEW SERVICE ON THE EAST SIDE OF THE PRO SHOP. THE SERVICE SHALL EXTEND TO THE PEAK OF THE BLDG. THE 200 AMP. SERVICE SHALL HAVE A 200 AMP. CIRCUIT BREAKER PANEL WITH A 200 AMP. MAIN BREAKER. PROVIDE BRANCH CIRCUIT BREAKERS AS REQUIRED BY THIS CONSTRUCTION. PROVIDE GROUND TO SYSTEM (SEE SPECIFICATIONS)

RAMSEY COUNTY ENGINEER'S DEPT.		
LAYOUT		
PROPOSED KELLER SKI TOW LIGHTING		
DESIGNED	DEANE R. ANKLAN	SURVEY
DRAWN R.W.W	COUNTY ENGINEER	
CHECKED	BY	MICROFILMED DATUM
REVISED	DATE 12-14-66	RAMSEY CO. ENGR. FILE