

CONVENTIONAL SIGNS

STATE LINE	-----	TIMBER	-----
COUNTY LINE	-----	BRUSH	-----
TOWNSHIP OR RANGE LINE	-----	ORCHARD	-----
SECTION LINE	-----	ROCK LEDGE	-----
QUARTER LINE	-----	SAND	-----
SIXTEENTH LINE	-----	EDGE OF CUT	-----
RIGHT-OF-WAY LINE	-----	TOE OF EMBANKMENT	-----
PRESENT ROAD R/W LINE	-----	CATCH BASIN	-----
LIMITED ACCESS	-----	MANHOLE	-----
PROPERTY LINE (Except Land Lines)	-----	DROP INLET	-----
VACATED PLATTED PROPERTY	-----	FIRE HYDRANT	-----
CORPORATE OR CITY LIMITS	-----	ARC LAMP	-----
TRUNK HIGHWAY CENTER LINE	-----	OTHER LAMPS (Train Kind)	-----
RETAINING WALL	-----	RAILROAD CROSSING SIGN	-----
STEAM RAILROAD	-----	RAILROAD CROSSING BELL	-----
ELECTRIC RAILROAD	-----	ELECTRIC WARNING SIGN	-----
RAILROAD RIGHT-OF-WAY LINE	-----	CROSSING GATE	-----
CREEK	-----	CATTLE GUARD	-----
RAPIDS OR WATERFALL	-----	OVERHEAD (Highway Over)	-----
DRY RUN	-----	UNDERPASS (Highway Under)	-----
DRAINAGE DITCH	-----	ABUTMENT, WALL & PIER	-----
HIGH TENSION LINE	-----	BRIDGE	-----
POWER POLE LINE	-----	CULVERT	-----
TELEPHONE OR TELEGRAPH LINE	-----	BUILDING (One Story Frame)	-----
TELEPHONE CONDUIT	-----	C-CONCRETE S-STONE T-TILE B-BRICK ST-STUCCO	-----
GUARD RAIL	-----	HEDGE	-----
WIRE FENCE	-----	IRON PIPE	-----
RAILROAD SNOW FENCE	-----	STONE MONUMENT	-----
BOARD OR HIGHWAY SNOW FENCE	-----	WOOD STAKE OR HUB	-----
STONE WALL OR FENCE	-----	MEANDER CORNER	-----
GAS MAIN	-----		
WATER PIPE	-----		
SEWER PIPE	-----		
DRAIN TILE	-----		
GRAVEL PIT	-----		
SAND PIT	-----		
CLAY PIT	-----		
POCK QUARRY	-----		
SPRINGS	-----		
MARSH	-----		

OFFICE OF COUNTY ENGINEER

RAMSEY COUNTY

CONSTRUCTION PLAN FOR GRADING AND BITUMINOUS SURFACING

M^cKNIGHT ROAD S.A.P. 62-668-06

BETWEEN: MAILAND ROAD AND: UPPER AFTON ROAD

FROM: A POINT 35' NORTH OF WEST 1/4 COR. SECTION 12 T.28N., R.22W.

TO: A POINT 47' NORTH OF WEST 1/4 COR. SECTION 1 T.28N., R.22 W.

GROSS LENGTH	5267.78 FEET	0.998 MILES
BRIDGES-LENGTH	0 FEET	0 MILES
EXCEPTIONS-LENGTH	0 FEET	0 MILES
NET LENGTH	5267.78 FEET	0.998 MILES

SCALES

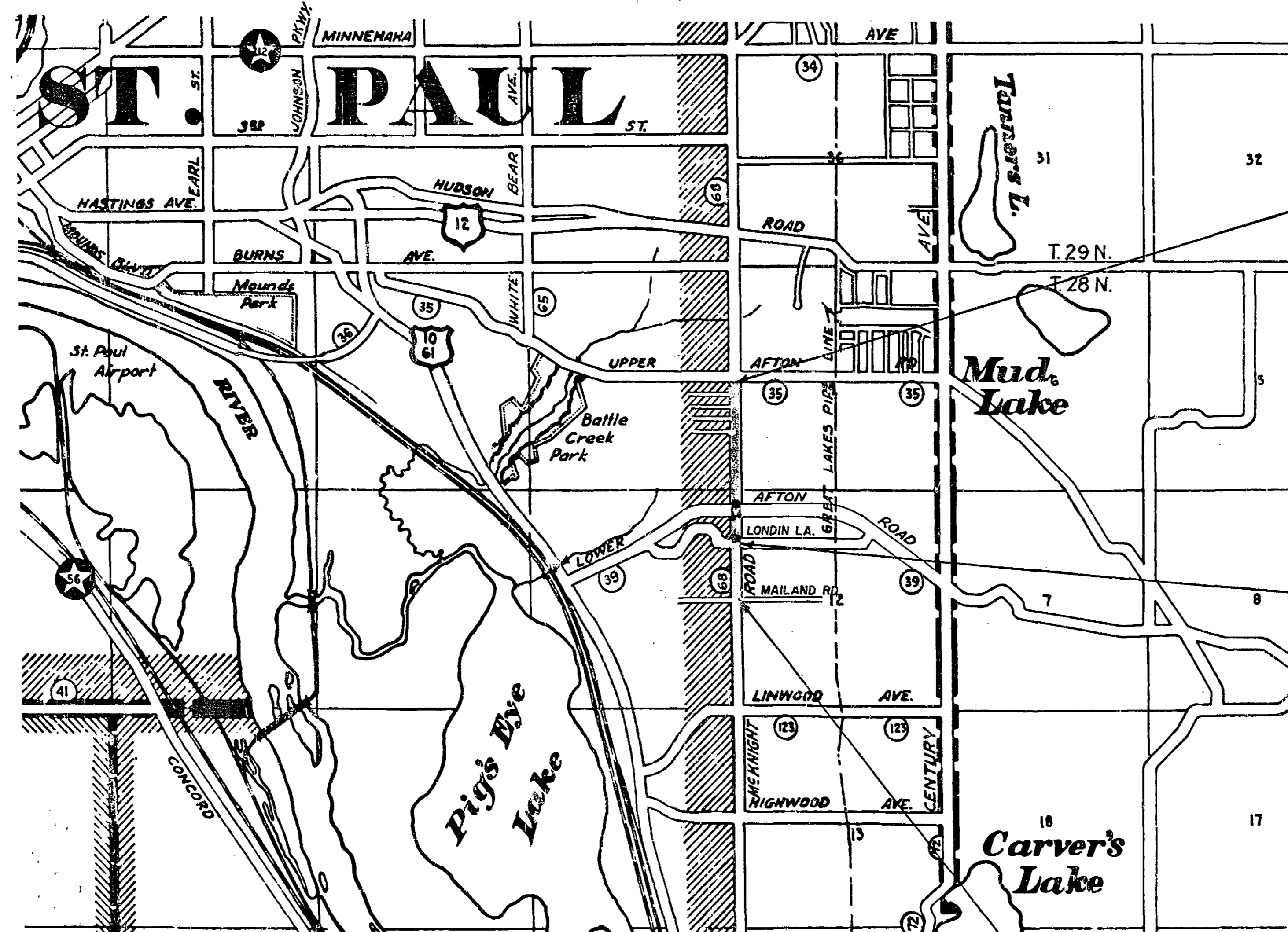
PLAN, 1 inch = 100 Feet	
PROFILE, Horiz. 1 inch = 100 Feet. Vert. 1 inch = 10 Feet.	
WORKING PLANS	Horiz. 1 inch = 100 Feet Vert. 1 inch = 10 Feet Cross-Sections 1 inch = 10 Feet
LAYOUT, 1 inch = 2640 Feet	

DESIGN DESIGNATION

ADT 1965	= NONE	DESIGN SPEED 30 M.P.H.
ADT 1980	= 5000	
DHV	=	
D (DIRECTIONAL DISTRIBUTION)	=	
T (HEAVY COMMERCIAL) 1980	= LESS THAN 200 ADT	
	DESIGN LOAD = 7 TON (9 TON ULTIMATE)	
	SOILS FACTOR = 100	

INDEX

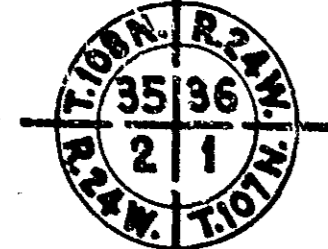
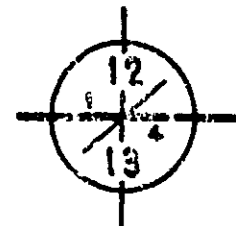
SHEET NO.	DESCRIPTION
1	TITLE SHEET
2	TYPICAL SECTION & ESTIMATED QUANTITIES
3	DRAINAGE STRUCTURE CHART
4	CATTLE PASS DETAIL
5-8	PLAN PROFILE & CONSTRUCTION PLAN
7-18	CROSS-SECTIONS



END PROJ.
STA. 39+90.53

EQUA. STA. 0+00
STA. 65+65.17

BEGIN PROJ.
STA. 52+87.92



NOTE: SECTION NUMBERS READ FROM THE SOUTH

PIT DATA

COUNTY	PIT NO.	Located in	-----
		Dead Haul	-----
	PIT NO.	Located in	-----
		Dead Haul	-----
	PIT NO.	Located in	-----
		Dead Haul	-----
	PIT NO.	Located in	-----
		Dead Haul	-----

SPECIFICATIONS

THE "SPECIFICATIONS FOR HIGHWAY CONSTRUCTION" DATED JAN. 1, 1964 SHALL GOVERN.

I HEREBY CERTIFY THAT THIS PLAN WAS PREPARED BY ME OR UNDER MY DIRECT SUPERVISION AND THAT I AM A DULY REGISTERED PROFESSIONAL ENGINEER UNDER THE LAWS OF THE STATE OF MINNESOTA.
Ernie Conkle ENGINEER REG. NO. 2042 DATE 5-24-65

RECOMMENDED FOR APPROVAL *Dean R. Ralston* DATE 6-3-65
COUNTY ENGINEER

APPROVED *John D. Daubney* DATE 6-7-65
CHAIRMAN OF RAMSEY COUNTY BOARD

MINNESOTA STATE HIGHWAY DEPARTMENT

RECOMMENDED FOR APPROVAL *J. D. Thompson* DATE 8-6-65

RECOMMENDED FOR APPROVAL *W. J. McDonald* DATE 8-6-65
DISTRICT ENGINEER

APPROVAL *Ernie Conkle* DATE 5-2-65
STATE AID ENGINEER

6849

MICROFILMED
RAMSEY CO. ENGINEER

STATEMENT OF ESTIMATED QUANTITIES

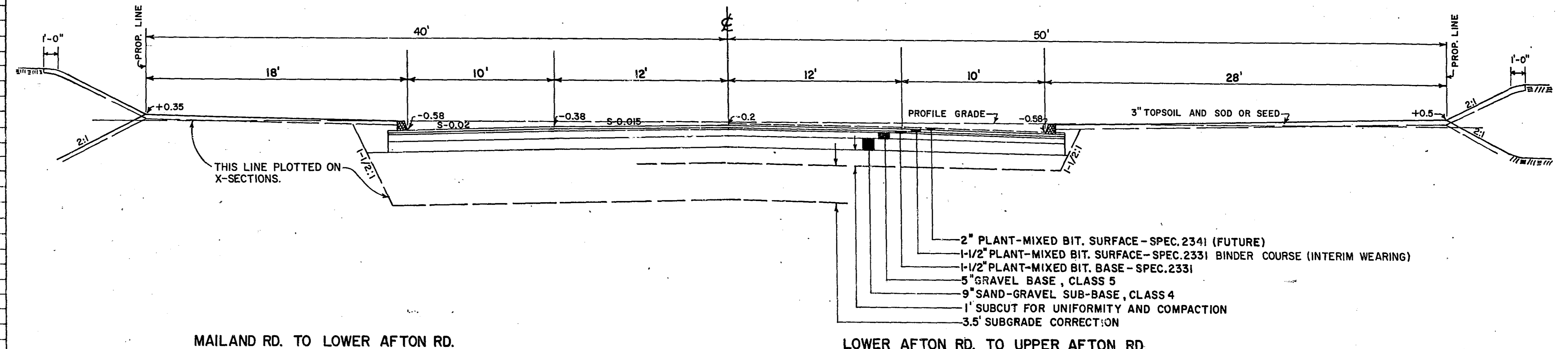
ITEM NO.	ITEM	UNIT	TOTAL ESTIMATED QUANTITIES
2101.501	CLEARING	ACRE	2.52
2101.502	CLEARING	TREE	38
2101.506	GRUBBING	ACRE	2.52
2101.507	GRUBBING	TREE	39
2104.510	REMOVE FENCE	L.F.	2945
2104.515	REMOVE PIPE SEWER	L.F.	34
2104.502	REMOVE PAVEMENT (ENTRANCE)	S.Y.	40
2105.501	CLASS A EXCAVATION	C.Y.	31,758
2105.504	CLASS S.G. EXCAVATION	C.Y.	31,140
2103.501	BUILDING REMOVAL	LUMPSUM	
2106.501	SPECIAL SWAMP EXCAVATION	C.Y.	1012
2130.501	WATER	(M) GAL.	200
2201.526	GRAVEL SUB-BASE IN PLACE (CLASS 4)	TON	12160
2202.526	GRAVEL BASE IN PLACE (CLASS 5)	TON	7850
2331.501	BITUMINOUS MATERIAL FOR PRIME COAT	GAL.	8160
2331.502	BITUMINOUS MATERIAL FOR TACK COAT	GAL.	1360
2331.504	BITUMINOUS MATERIAL FOR MIXTURE	TON	182
2331.510	BINDER COURSE MIXTURE	TON	2343
2331.514	BASE COURSE MIXTURE	TON	2040
2356.505	BITUMINOUS MATERIAL FOR SEAL COAT	GAL.	4372
356.611	SEAL COAT AGGREGATE, FA.2	TON	130
2501.521	F&I. 21" R.C.P. CULV., CLASS 4	L.F.	138
2503.512	F&I. 12" R.C.P. SEWER, CLASS 2	L.F.	92
2503.512	F&I. 15" R.C.P. SEWER, CLASS 2	L.F.	990
2503.512	F&I. 18" R.C.P. SEWER, CLASS 2	L.F.	359
2503.512	F&I. 21" R.C.P. SEWER, CLASS 2	L.F.	207
2503.512	F&I. 24" R.C.P. SEWER, CLASS 2	L.F.	448
2503.514	F&I. 24" C.M.P. SEWER	L.F.	262
2503.521	INSTALL CONCRETE PIPE SEWER	L.F.	34
2503.531	F&I. 28" SPAN R.C.P.-A SEWER CLASS 2	L.F.	76
2503.536	F&I. 28" SPAN C.M.P.-A SEWER	L.F.	8
2512.506	FILTER BLANKET, TYPE I	C.Y.	10
2515.531	F&I. METAL APRONS FOR 24" C.M.P.	APRON	1
2512.501	HAND-PLACED RIPRAP	C.Y.	20
2515.522	F&I. METAL APRONS FOR 28" SPAN C.M.P.-A	APRON	1
2515.541	F&I. CONCRETE APRONS FOR 12" S.C.P.	APRON	2
2515.541	F&I. CONCRETE APRONS FOR 24" S.C.P.	APRON	1
2515.507	CONCRETE EROSION CONTROL STRUCTURE	C.Y.	13.4
2515.542	F&I. CONCRETE APRONS FOR 28" SPAN S.C.P.-A	APRON	1
2506.506	CONSTRUCT MANHOLES, DESIGN C OR G	L.F.	15.1
2506.507	CONSTRUCT CATCH BASINS, DESIGN C OR G	L.F.	54.0
2506.507	CONSTRUCT CATCH BASINS, DESIGN L.P.4-H	L.F.	22.6
2506.507	CONSTRUCT CATCH BASINS, DESIGN L.P.6-H	L.F.	21.8
2506.511	RECONSTRUCT MANHOLES	L.F.	11.25
2506.516	F&I. CASTING ASSEMBLIES	ASSEMBLY	16
2506.521	INSTALL CASTINGS	ASSEMBLY	2
2506.522	ADJUST FRAME AND RING CASTING	ASSEMBLY	2
2531.507	CONCRETE DRIVEWAY PAVEMENT, 6" THICK, H.E.S.	S.Y.	11.7
2531.502	CONCRETE CURB, DESIGN B6	L.F.	844
2535.501	BITUMINOUS CURB	L.F.	9636
2574.501	ROADSIDE SEEDING, CLASS 15	ACRE	125
2576.501	SODDING	S.Y.	27920
557.621	RESET BARBED WIRE FENCE, 1 WIRE, STEEL POST	L.F.	363
557.621	RESET BARBED WIRE FENCE, 3 WIRE, WOOD POST	L.F.	438
2414.503	STRUCTURE EXCAVATION (CLASS U)	C.Y.	281
2414.511	F&I. P-C. CONC. CATTLE PASSES (84" HIGH)	L.F.	102
2414.512	F&I. P-C. CONC. CATTLE PASS END SECTIONS	SECTION	2

- ① INCLUDES RUBBER GASKETS BETWEEN C.B.9 AND C.B.11, AND C.B.31 AND C.B.35
- ② INCLUDES RUBBER GASKETS BETWEEN C.B.11 AND C.B.14.
- ③ CRETEX DESIGN OR AN APPROVED EQUAL.

STANDARD DETAIL PLATES

3000 C	REINFORCED CONCRETE PIPE
3014 B	REINFORCED CONCRETE PIPE-ARCH
3040	CORRUGATED METAL PIPE-ARCH
3100 D - 3102 C	CONCRETE APRON FOR REINFORCED CONCRETE PIPE
3110 C - 3112 C	CONCRETE APRON FOR REINFORCED CONCRETE PIPE-ARCH
3122 C	METAL APRON FOR C.M. PIPE-ARCH CULVERTS
3123 C	METAL APRON FOR C.M. PIPES
4000 E	MANHOLE OR CATCH BASIN
4002 C	MANHOLE OR CATCH BASIN
4005 E	MANHOLE OR CATCH BASIN
4006 D	MANHOLE OR CATCH BASIN
4008 C	CATCH BASIN
4016	CURB OPENING CATCH BASIN
4101 A	RING CASTING FOR MANHOLE OR CATCH BASIN
4108 B	AUXILIARY CASTING FOR MANHOLE RING EXTENSION
4111 C	COVER CASTING FOR MANHOLE
4126 C	CATCH BASIN FRAME CASTING
4149 B	GRATE CASTING FOR CATCH BASIN
4161 C	CURB BOX CASTING FOR CATCH BASIN
4181	MANHOLE STEP CASTING
7020 C	CONCRETE CURB
7065 B	BITUMINOUS CURB
7111 C	INSTALLATION OF CATCH BASIN CASTINGS
8000 A & 8009	STANDARD BARRICADE
8114	PRECAST CONCRETE HANDHOLE (COVER ONLY)

TYPICAL SECTIONS

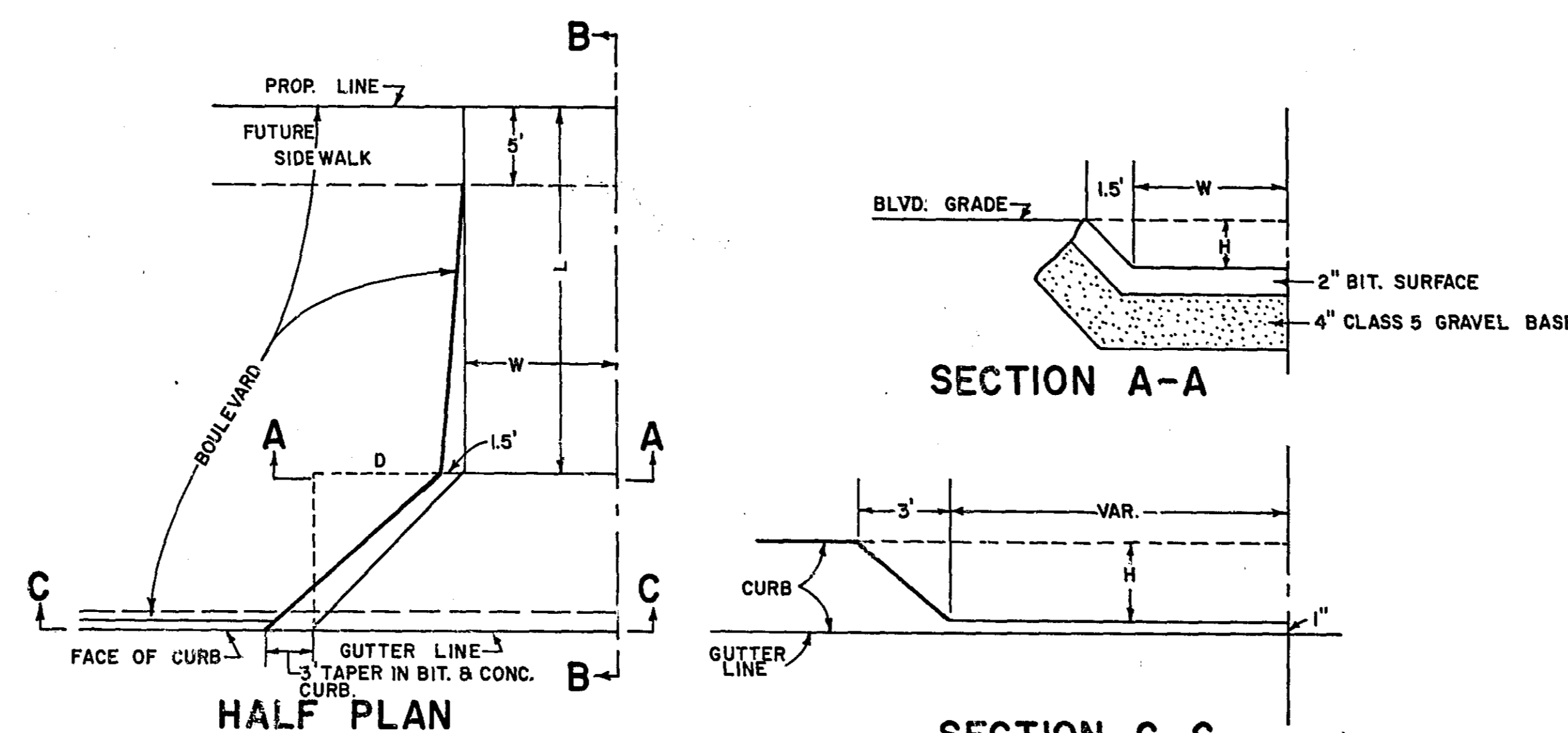


MAILAND RD. TO LOWER AFTON RD.

LOWER AFTON RD. TO UPPER AFTON RD.

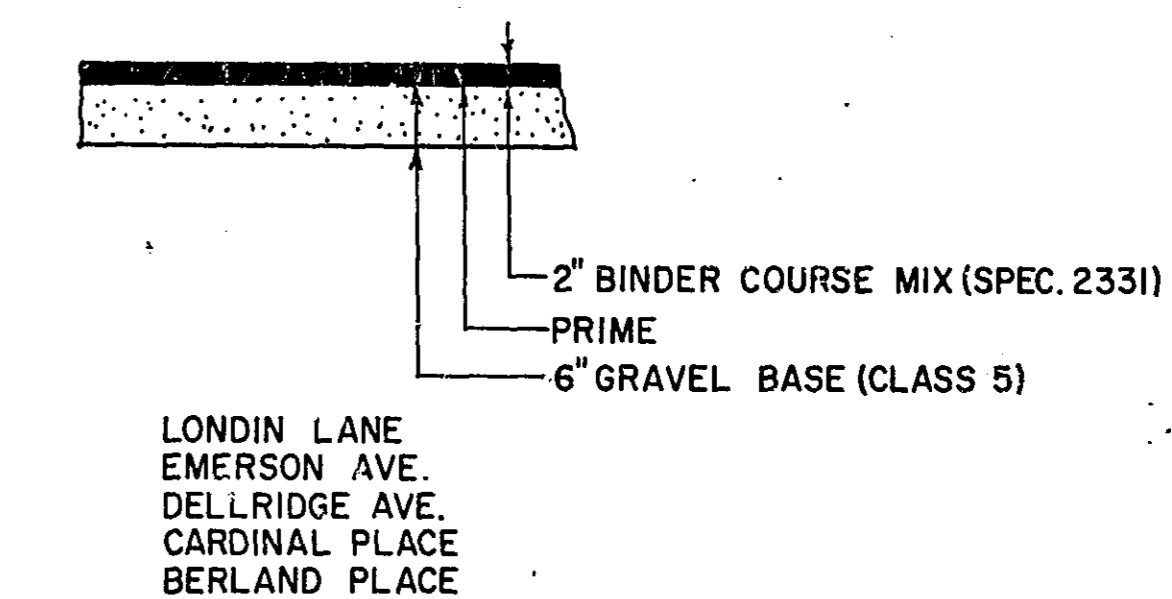
NOTE: SLOPES TO CONFORM TO RIGHT OF WAY WHERE THERE ARE NO EASEMENTS. SEE CROSS-SECTIONS AND PLAN PROFILE SHEETS.

BITUMINOUS ENTRANCE DETAILS



NOTE: PRIVATE ENTRANCE: W=6' D=5'
COMMERCIAL ENTRANCE: W=11' D=10'
THE EXACT LOCATION AND WIDTH OF ENTRANCES SHALL BE DETERMINED IN THE FIELD BY THE ENGINEER.

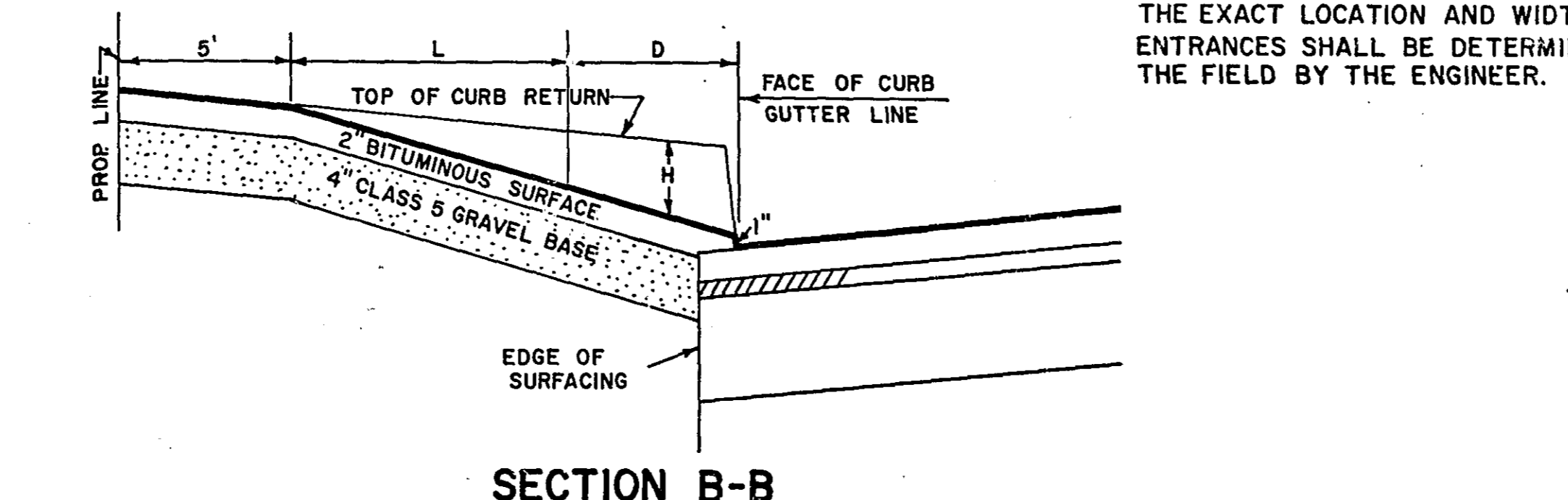
SIDE STREET INT. SURFACING



LONDIN LANE
EMERSON AVE.
DELLRIDGE AVE.
CARDINAL PLACE
BERLAND PLACE

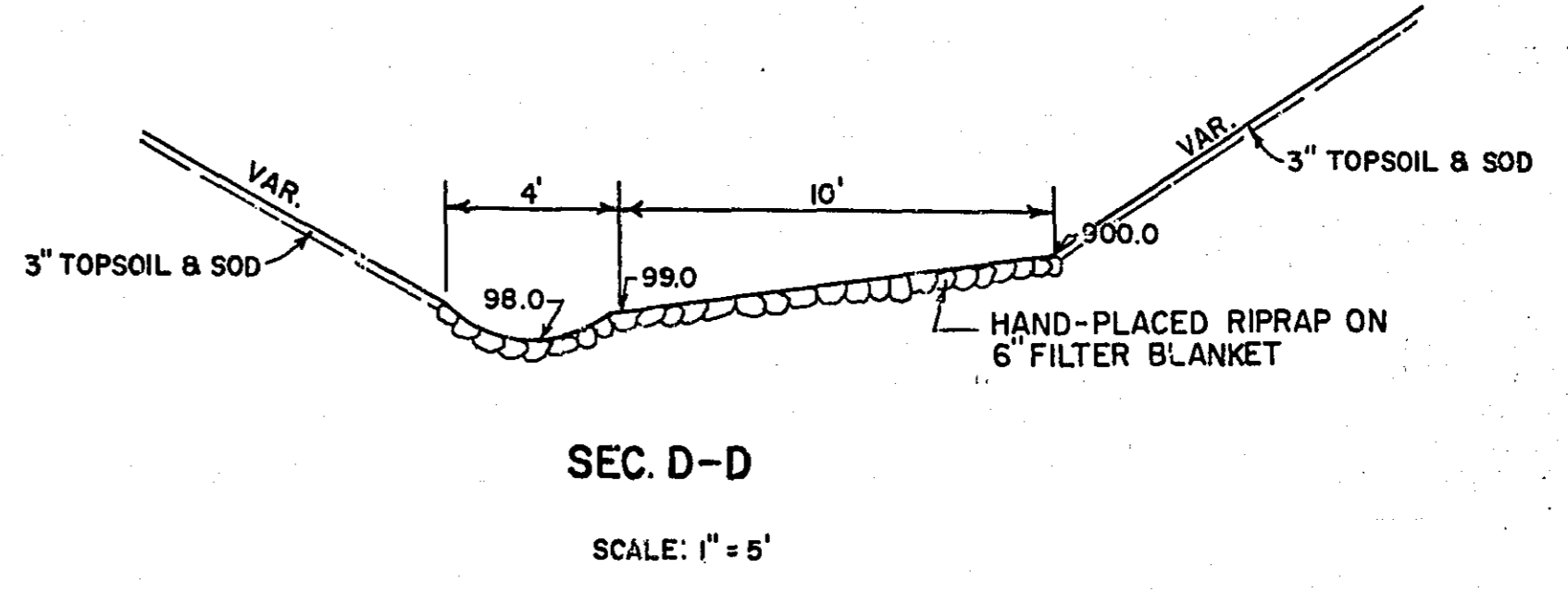
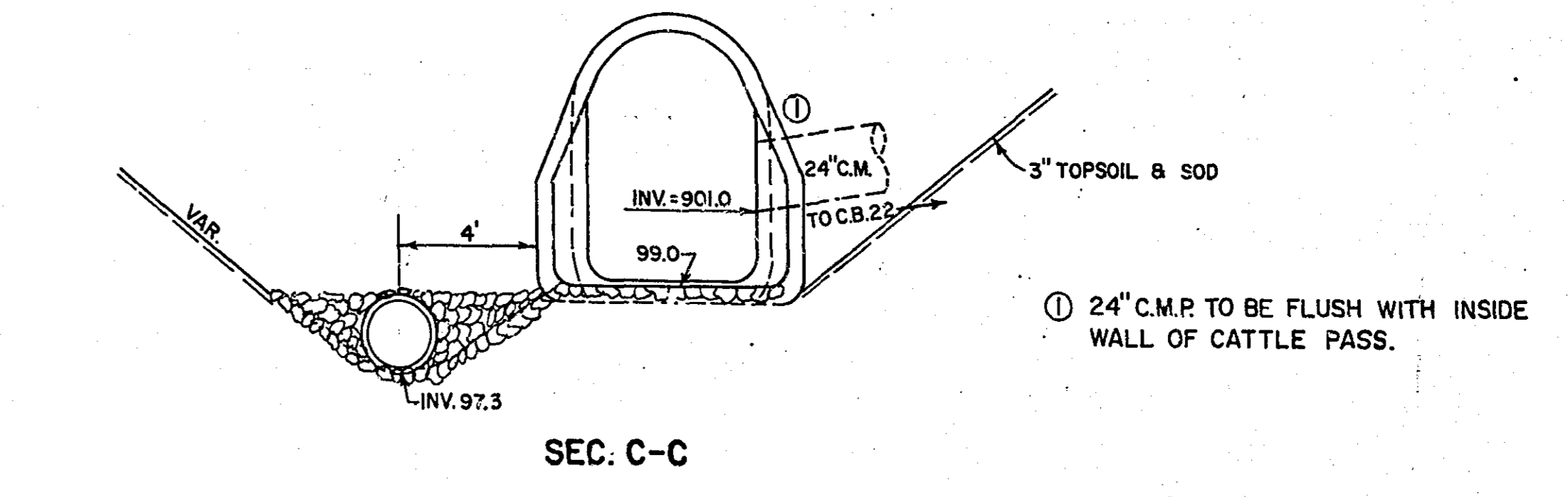
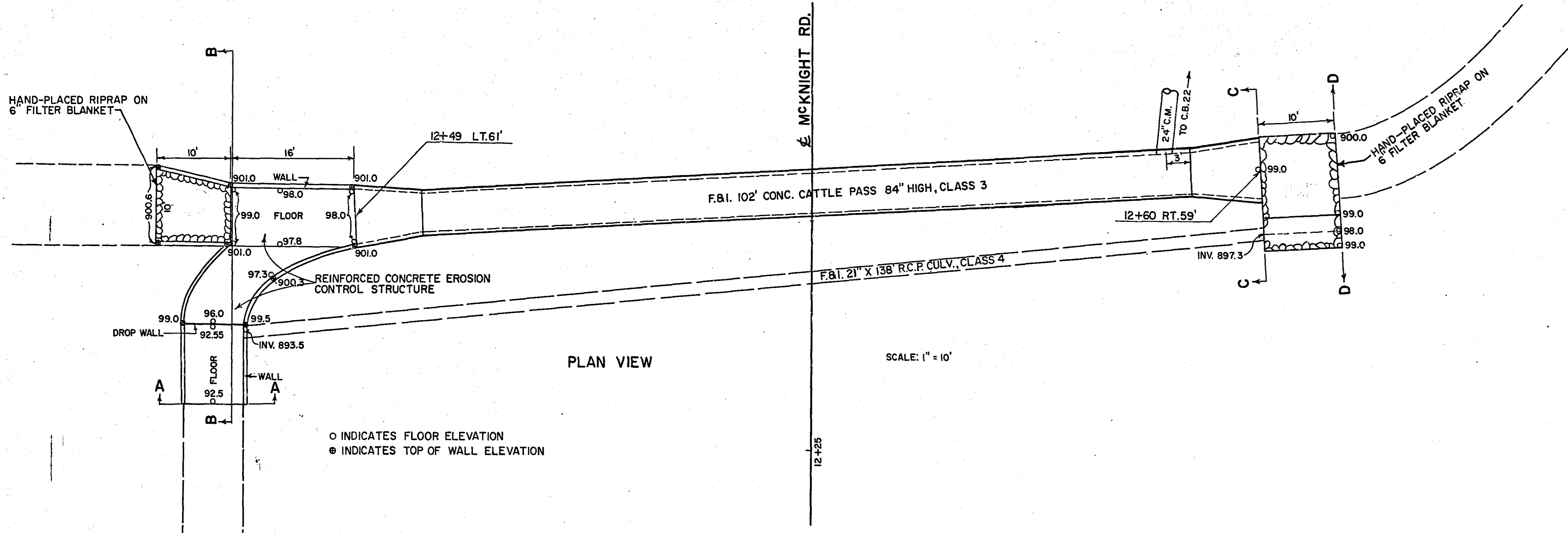
SODDING GUIDE

LOCATION	SQ. YDS.
ALL BOULEVARDS	22,903
STA. 52+73 TO STA. 65+44 SLOPE LT.	47
STA. 0+18 TO STA. 3+30 SLOPE LT.	179
STA. 10+22 TO STA. 13+00 SLOPE LT. & RT.	1459
STA. 13+00 TO STA. 26+00 SLOPE RT.	3268
STA. 26+10 TO STA. 39+17 SLOPE LT.	64
TOTAL	27,920

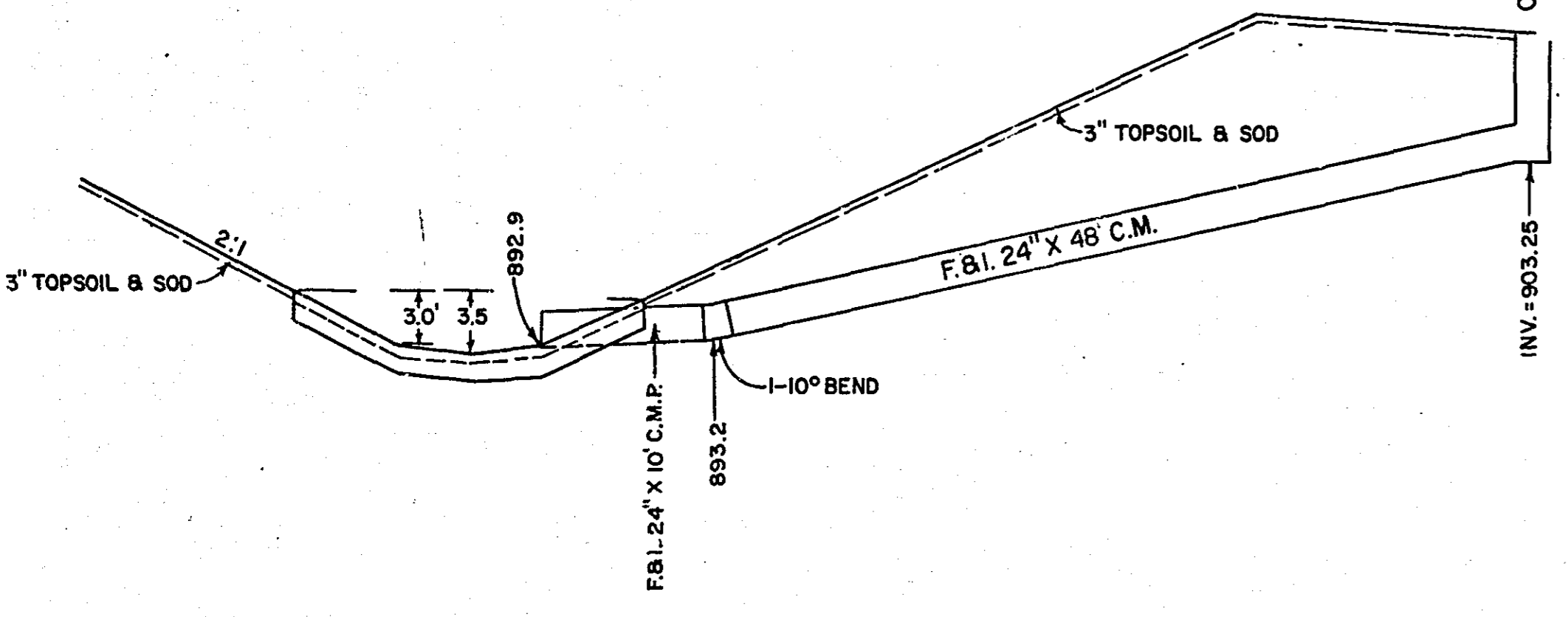
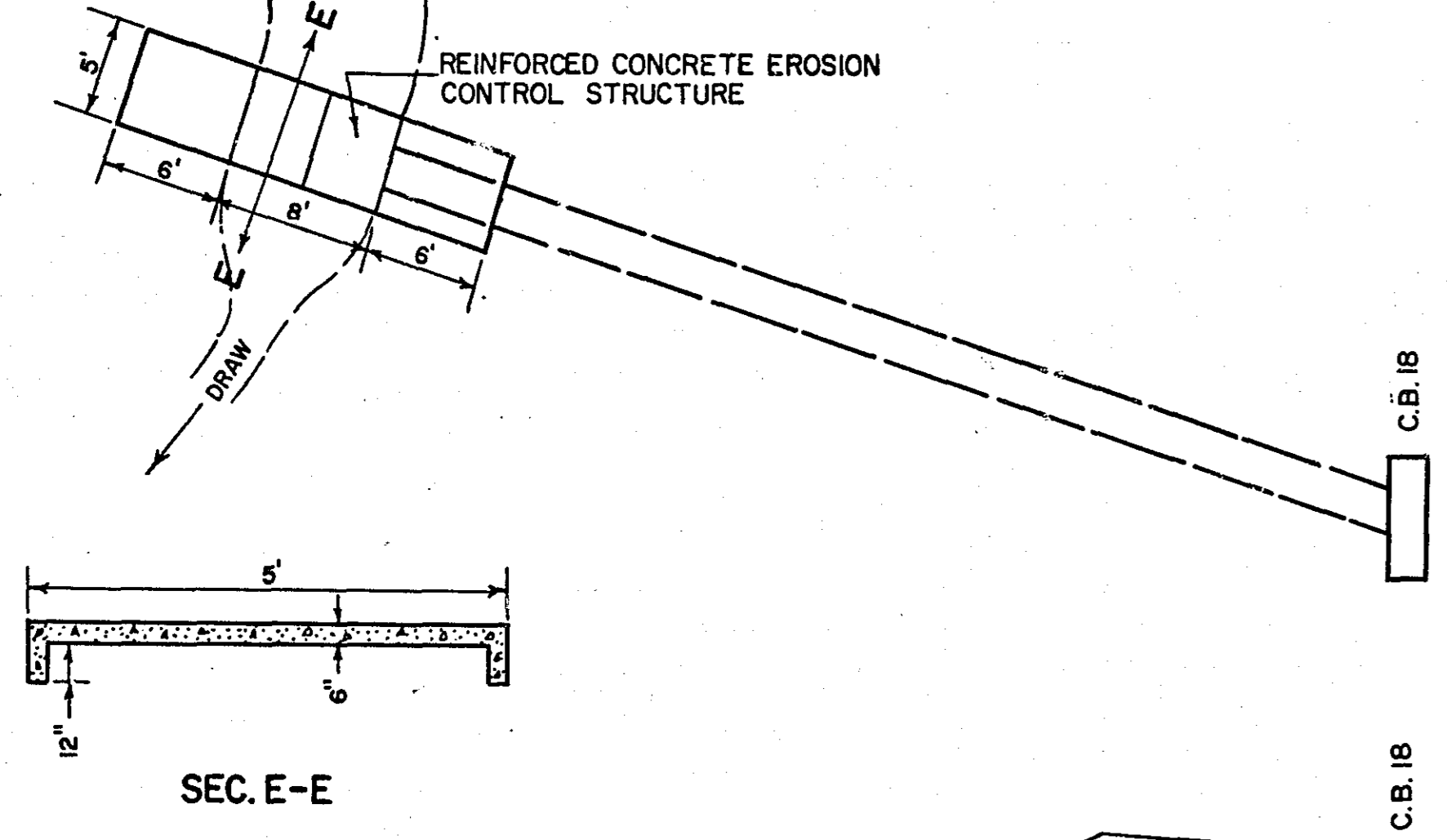
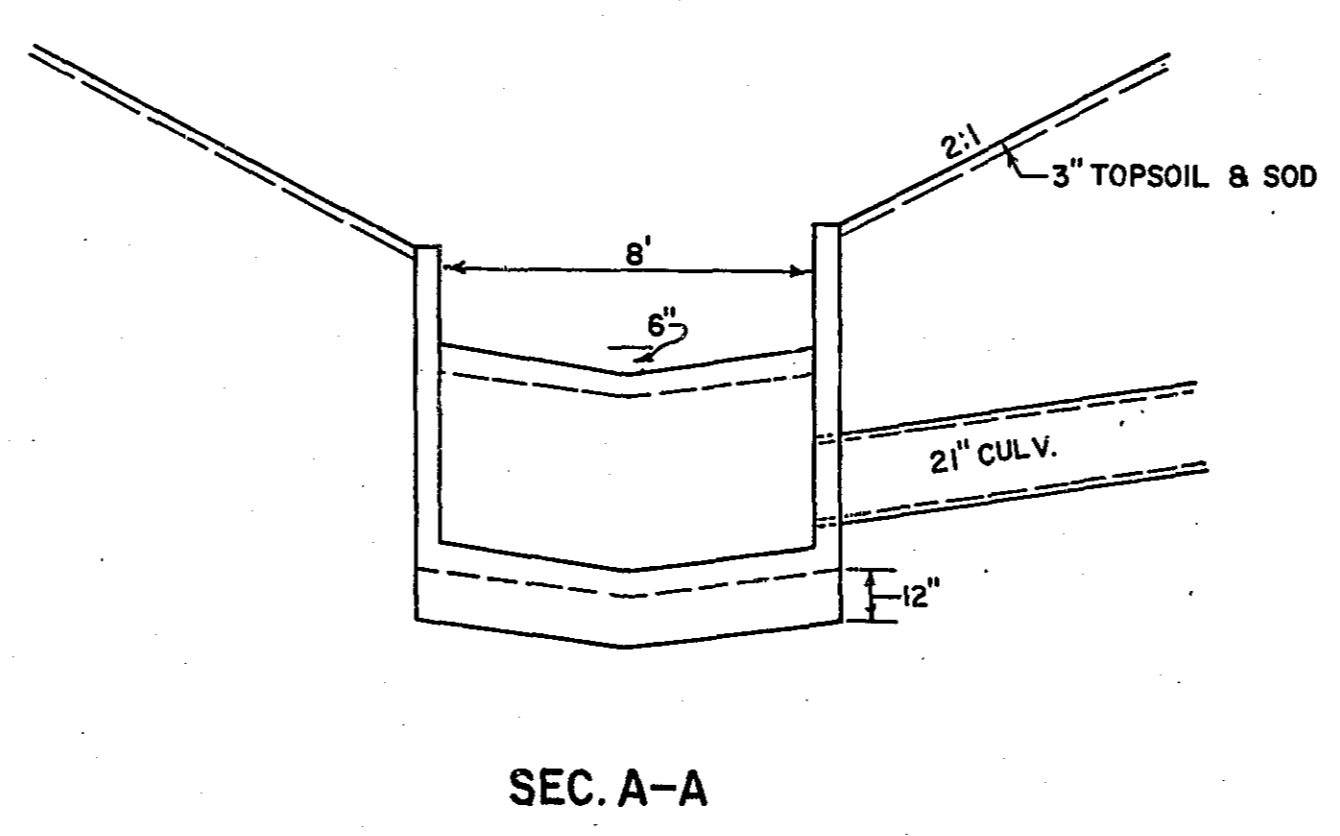
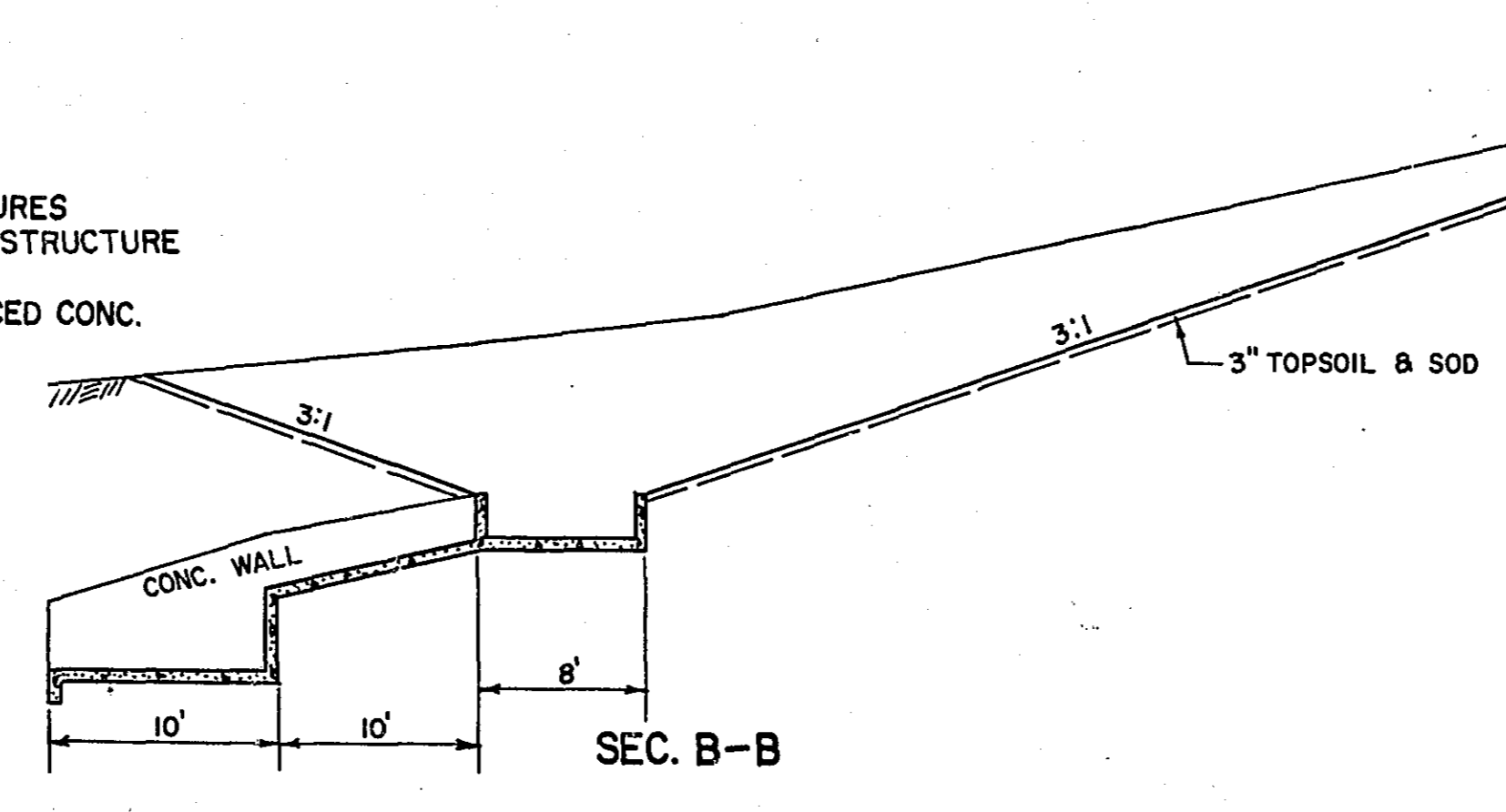


CURB DETAIL AT CATCH BASINS TYPE C OR G

(TO BE USED WITH CASTING NO. 872 AND 821B)



NOTE: REINFORCED CONCRETE EROSION CONTROL STRUCTURES TO HAVE 3/8" BARS 12" C. TO C. THROUGH ENTIRE STRUCTURE PERPENDICULAR TO EACH OTHER. ALL WALLS, FLOORS, ETC. TO BE 6" THICK REINFORCED CONC.

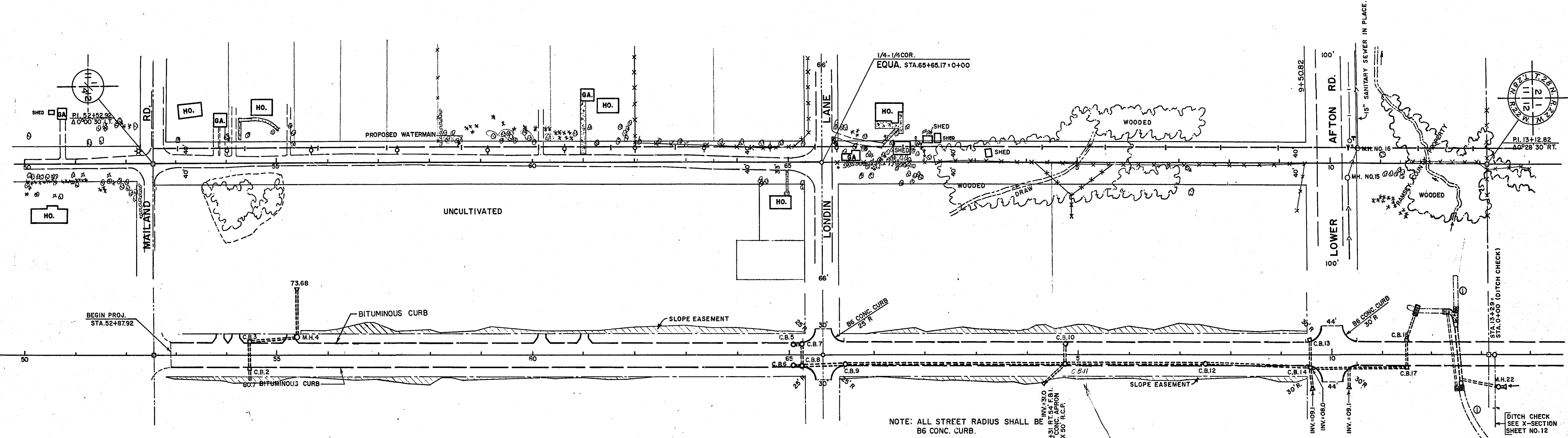


STA. 61+00 ENTRANCE LEFT
 REMOVE CONC. DRIVEWAY 40 S.Y.
 CONST. CONC. DRIVEWAY PAVEMENT 11.7 S.Y.

Fed. Proj. No.

STA. 12+34 LT. 7.7' TO STA. 12+51 RT. 59'
 F. & I. 21" X 138" R.C.P. CULV., CLASS 4

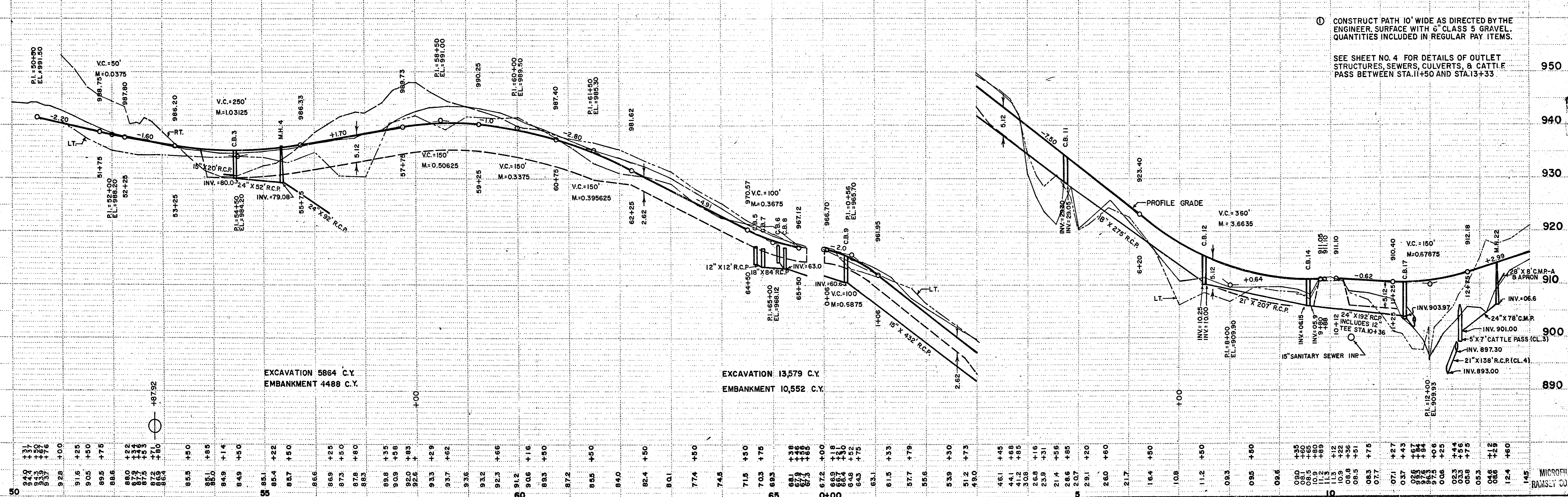
STA. 12+49 LT. 6.1' TO STA. 12+60 RT. 59'
 F. & I. 102" P-C CONC. CATTLE PASS (84" HIGH)
 F. & I. 2 P-C CONC. CATTLE PASS END SECTIONS (84" HIGH)



B.M. ELEV. 984.90
 TOP N.E. COR. LOWER STEP
 HO.# 475

B.M. ELEV. 972.40
 TOP N.W. COR. LOWER STEP
 HO.# 366 STA. 64+99 RT. 62'

B.M. ELEV. 911.86
 TOP HYD. N.W. COR. OF
 MCKNIGHT & LOWER AFTON RD.



CONSTRUCT PATH 10' WIDE AS DIRECTED BY THE ENGINEER. SURFACE WITH 6' CLASS 5 GRAVEL. QUANTITIES INCLUDED IN REGULAR PAY ITEMS.

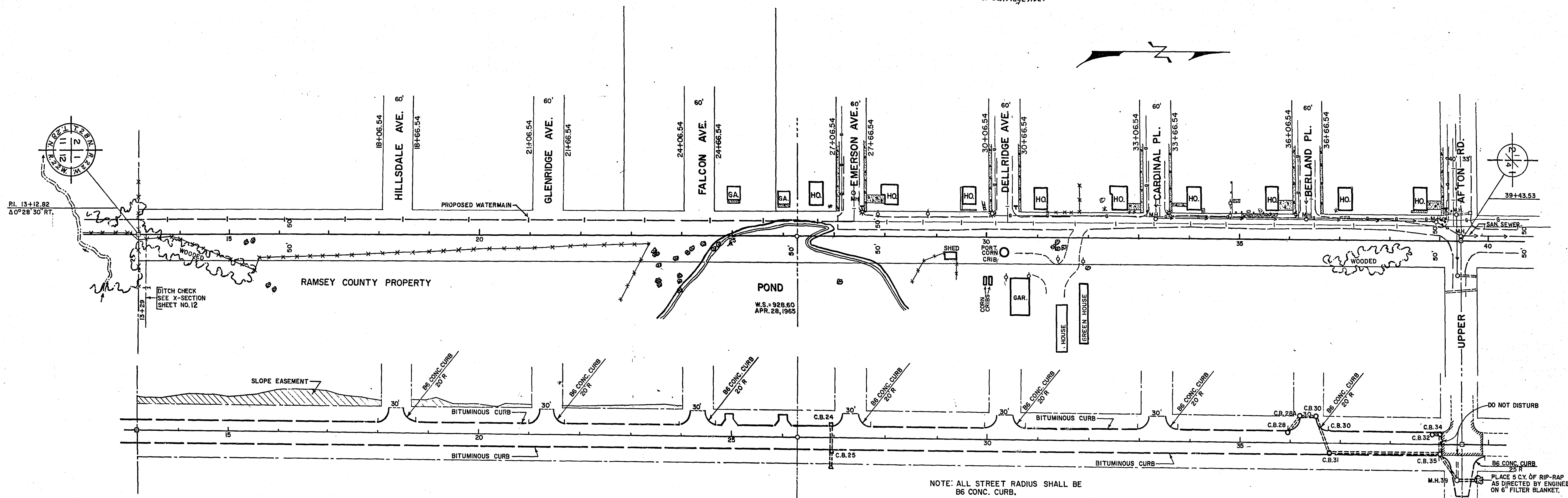
SEE SHEET NO. 4 FOR DETAILS OF OUTLET STRUCTURES, SEWERS, CULVERTS, & CATTLE PASS BETWEEN STA. 11+50 AND STA. 13+33

EXCAVATION 5864 C.Y.
 EMBANKMENT 4488 C.Y.

EXCAVATION 13,579 C.Y.
 EMBANKMENT 10,552 C.Y.

50	51	52	53	54	55	56	57	58	59	60	61	62	63	64	65	66	67	68	69	70	71	72	73	74	75	76	77	78	79	80	81	82	83	84	85	86	87	88	89	90	91	92	93	94	95	96	97	98	99	100																																																																																																																																																																																																																																																																																																																																																																																																																																																																																																																																																																																																																																																																																																																																																																																																																																																																																																																																																																																																																																																				
94.4	94.7	95.0	95.3	95.6	95.9	96.2	96.5	96.8	97.1	97.4	97.7	98.0	98.3	98.6	98.9	99.2	99.5	99.8	100.1	100.4	100.7	101.0	101.3	101.6	101.9	102.2	102.5	102.8	103.1	103.4	103.7	104.0	104.3	104.6	104.9	105.2	105.5	105.8	106.1	106.4	106.7	107.0	107.3	107.6	107.9	108.2	108.5	108.8	109.1	109.4	109.7	110.0	110.3	110.6	110.9	111.2	111.5	111.8	112.1	112.4	112.7	113.0	113.3	113.6	113.9	114.2	114.5	114.8	115.1	115.4	115.7	116.0	116.3	116.6	116.9	117.2	117.5	117.8	118.1	118.4	118.7	119.0	119.3	119.6	119.9	120.2	120.5	120.8	121.1	121.4	121.7	122.0	122.3	122.6	122.9	123.2	123.5	123.8	124.1	124.4	124.7	125.0	125.3	125.6	125.9	126.2	126.5	126.8	127.1	127.4	127.7	128.0	128.3	128.6	128.9	129.2	129.5	129.8	130.1	130.4	130.7	131.0	131.3	131.6	131.9	132.2	132.5	132.8	133.1	133.4	133.7	134.0	134.3	134.6	134.9	135.2	135.5	135.8	136.1	136.4	136.7	137.0	137.3	137.6	137.9	138.2	138.5	138.8	139.1	139.4	139.7	140.0	140.3	140.6	140.9	141.2	141.5	141.8	142.1	142.4	142.7	143.0	143.3	143.6	143.9	144.2	144.5	144.8	145.1	145.4	145.7	146.0	146.3	146.6	146.9	147.2	147.5	147.8	148.1	148.4	148.7	149.0	149.3	149.6	149.9	150.2	150.5	150.8	151.1	151.4	151.7	152.0	152.3	152.6	152.9	153.2	153.5	153.8	154.1	154.4	154.7	155.0	155.3	155.6	155.9	156.2	156.5	156.8	157.1	157.4	157.7	158.0	158.3	158.6	158.9	159.2	159.5	159.8	160.1	160.4	160.7	161.0	161.3	161.6	161.9	162.2	162.5	162.8	163.1	163.4	163.7	164.0	164.3	164.6	164.9	165.2	165.5	165.8	166.1	166.4	166.7	167.0	167.3	167.6	167.9	168.2	168.5	168.8	169.1	169.4	169.7	170.0	170.3	170.6	170.9	171.2	171.5	171.8	172.1	172.4	172.7	173.0	173.3	173.6	173.9	174.2	174.5	174.8	175.1	175.4	175.7	176.0	176.3	176.6	176.9	177.2	177.5	177.8	178.1	178.4	178.7	179.0	179.3	179.6	179.9	180.2	180.5	180.8	181.1	181.4	181.7	182.0	182.3	182.6	182.9	183.2	183.5	183.8	184.1	184.4	184.7	185.0	185.3	185.6	185.9	186.2	186.5	186.8	187.1	187.4	187.7	188.0	188.3	188.6	188.9	189.2	189.5	189.8	190.1	190.4	190.7	191.0	191.3	191.6	191.9	192.2	192.5	192.8	193.1	193.4	193.7	194.0	194.3	194.6	194.9	195.2	195.5	195.8	196.1	196.4	196.7	197.0	197.3	197.6	197.9	198.2	198.5	198.8	199.1	199.4	199.7	200.0	200.3	200.6	200.9	201.2	201.5	201.8	202.1	202.4	202.7	203.0	203.3	203.6	203.9	204.2	204.5	204.8	205.1	205.4	205.7	206.0	206.3	206.6	206.9	207.2	207.5	207.8	208.1	208.4	208.7	209.0	209.3	209.6	209.9	210.2	210.5	210.8	211.1	211.4	211.7	212.0	212.3	212.6	212.9	213.2	213.5	213.8	214.1	214.4	214.7	215.0	215.3	215.6	215.9	216.2	216.5	216.8	217.1	217.4	217.7	218.0	218.3	218.6	218.9	219.2	219.5	219.8	220.1	220.4	220.7	221.0	221.3	221.6	221.9	222.2	222.5	222.8	223.1	223.4	223.7	224.0	224.3	224.6	224.9	225.2	225.5	225.8	226.1	226.4	226.7	227.0	227.3	227.6	227.9	228.2	228.5	228.8	229.1	229.4	229.7	230.0	230.3	230.6	230.9	231.2	231.5	231.8	232.1	232.4	232.7	233.0	233.3	233.6	233.9	234.2	234.5	234.8	235.1	235.4	235.7	236.0	236.3	236.6	236.9	237.2	237.5	237.8	238.1	238.4	238.7	239.0	239.3	239.6	239.9	240.2	240.5	240.8	241.1	241.4	241.7	242.0	242.3	242.6	242.9	243.2	243.5	243.8	244.1	244.4	244.7	245.0	245.3	245.6	245.9	246.2	246.5	246.8	247.1	247.4	247.7	248.0	248.3	248.6	248.9	249.2	249.5	249.8	250.1	250.4	250.7	251.0	251.3	251.6	251.9	252.2	252.5	252.8	253.1	253.4	253.7	254.0	254.3	254.6	254.9	255.2	255.5	255.8	256.1	256.4	256.7	257.0	257.3	257.6	257.9	258.2	258.5	258.8	259.1	259.4	259.7	260.0	260.3	260.6	260.9	261.2	261.5	261.8	262.1	262.4	262.7	263.0	263.3	263.6	263.9	264.2	264.5	264.8	265.1	265.4	265.7	266.0	266.3	266.6	266.9	267.2	267.5	267.8	268.1	268.4	268.7	269.0	269.3	269.6	269.9	270.2	270.5	270.8	271.1	271.4	271.7	272.0	272.3	272.6	272.9	273.2	273.5	273.8	274.1	274.4	274.7	275.0	275.3	275.6	275.9	276.2	276.5	276.8	277.1	277.4	277.7	278.0	278.3	278.6	278.9	279.2	279.5	279.8	280.1	280.4	280.7	281.0	281.3	281.6	281.9	282.2	282.5	282.8	283.1	283.4	283.7	284.0	284.3	284.6	284.9	285.2	285.5	285.8	286.1	286.4	286.7	287.0	287.3	287.6	287.9	288.2	288.5	288.8	289.1	289.4	289.7	290.0	290.3	290.6	290.9	291.2	291.5	291.8	292.1	292.4	292.7	293.0	293.3	293.6	293.9	294.2	294.5	294.8	295.1	295.4	295.7	296.0	296.3	296.6	296.9	297.2	297.5	297.8	298.1	298.4	298.7	299.0	299.3	299.6	299.9	300.2	300.5	300.8	301.1	301.4	301.7	302.0	302.3	302.6	302.9	303.2	303.5	303.8	304.1	304.4	304.7	305.0	305.3	305.6	305.9	306.2	306.5	306.8	307.1	307.4	307.7	308.0	308.3	308.6	308.9	309.2	309.5	309.8	310.1	310.4	310.7	311.0	311.3	311.6	311.9	312.2	312.5	312.8	313.1	313.4	313.7	314.0	314.3	314.6	314.9	315.2	315.5	315.8	316.1	316.4	316.7	317.0	317.3	317.6	317.9	318.2	318.5	318.8	319.1	319.4	319.7	320.0	320.3	320.6	320.9	321.2	321.5	321.8	322.1	322.4	322.7	323.0	323.3	323.6	323.9	324.2	324.5	324.8	325.1	325.4	325.7	326.0	326.3	326.6	326.9	327.2	327.5	327.8	328.1	328.4	328.7	329.0	329.3	329.6	329.9	330.2	330.5	330.8	331.1	331.4	331.7	332.0	332.3	332.6	332.9	333.2	333.5	333.8	334.1	334.4	334.7	335.0	335.3	335.6	335.9	336.2	336.5	336.8	337.1	337.4	337.7	338.0	338.3	338.6	338.9	339.2	339.5	339.8	340.1	340.4	340.7	341.0	341.3	341.6	341.9	342.2	342.5	342.8	343.1	343.4	343.7	344.0	344.3	344.6	344.9	345.2	345.5	345.8	346.1	346.4	346.7	347.0	347.3	347.6	347.9	348.2	348.5	348.8	349.1	349.4	349.7	350.0	350.3	350.6	350.9	351.2	351.5	351.8	352.1	352.4	352.7	353.0	353.3	353.6	353.9	354.2	354.5	354.8	355.1	355.4	355.7	356.0	356.3	356.6	356.9	357.2	357.5	357.8	358.1	358.4	358.7	359.0	359.3	359.6	359.9	360.2	360.5	360.8	361.1	361.4	361.7	362.0	362.3	362.6	362.9	363.2	363.5	363.8	364.1	364.4	364.7	365.0	365.3	365.6	365.9	366.2	366.5	366.8	367.1	367.4	367.7	368.0	368.3	368.6	368.9	369.2	369.5	369.8	370.1	370.4	370.7	371.0	371.3	371.6	371.9	372.2	372.5	372.8	373.1	373.4	373.7	374.0	374.3	374.6	374.9	375.2	375.5	375.8	376.1	376.4	376.7	377.0	377.3	377.6	377.9	378.2	378.5	378.8	379.1	379.4	379.7	380.0	380.3	380.6	380.9	381.2	381.5	381.8	382.1	382.4	382.7	383.0	383.3	383.6	383.9	384.2	384.5	384.8	385.1	385.4	385.7	386.0	386.3	386.6	386.9	387.2	387.5	387.8	388.1	388.4	388.7	389.0	389.3	389.6	389.9	390.2	390.5	390.8	391.1	391.4	391.7	392.0	392.3	392.6	392.9	393.2	393.5	393.8	394.1	394.4	394.7	395.0	395.3	395.6	395.9	396.2	396.5	396.8	397.1	397.4	397.7	398.0	398.3	398.6	398.9	399.2	399.5	399.8	400.1	400.4	400.7	401.0	401.3	401.6	401.9	402.2	402.5	402.8	403.1	403.4	403.7	404.0	404.3	404.6	404.9	405.2	405.5	405.8	406.1	406.4	406.7	407.0	407.3	407.6	407.9	408.2	408.5	408.8	409.1	409.4	409.7	410.0	410.3	410.6	410.9	411.2	411.5	411.8	412.1	412.4	412.7	41

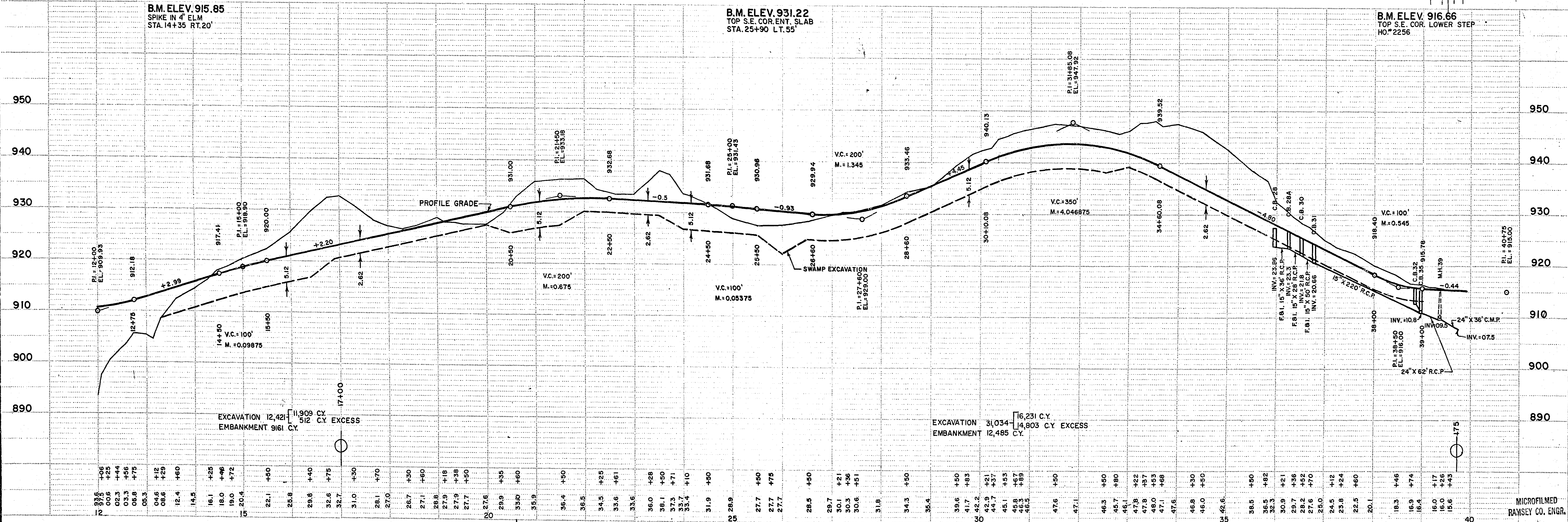
Note: Sleeve placed for future water service to East side of McKnight Rd. - West end located at Sta. 30+70 at end of Radius of Dellridge Ave.



B.M. ELEV. 915.85
SPIKE IN 4" ELM.
STA. 14+35 RT. 20'

B.M. ELEV. 931.22
TOP S.E. COR. ENT. SLAB
STA. 25+90 L.T. 55'

B.M. ELEV. 916.66
TOP S.E. COR. LOWER STEP
HO. 2256



BAL. NO. 3

BAL. NO. 4

S.A.P. NO. 62-668-06

Sheet No. 6 of 18 Sheets

MICROFILMED
RAMSEY CO. ENGR.