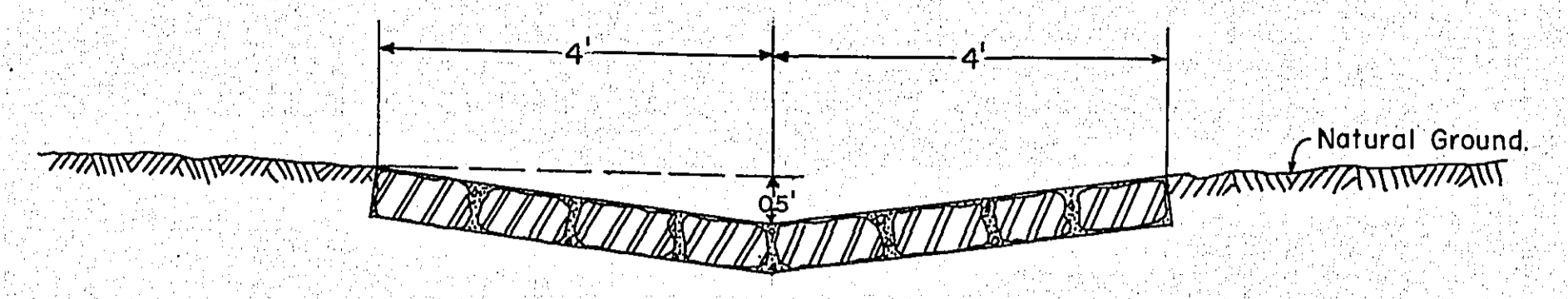


0136.5
Const. M.H. 1+17
Const. M.P.

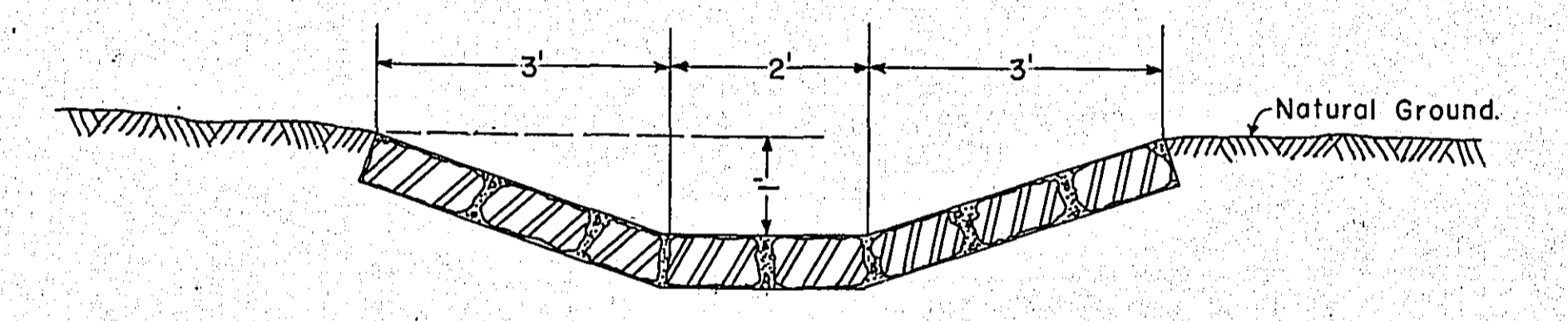
Const. 9.0 L.F. M.H.
1100 Sewer Brick
2 covers 3' dia. 1/2" steel plate
4 Eye Bolts.
0.80 Cu. Yds. Conc. Base.

Const. Spillway
57.0 S.Yds.

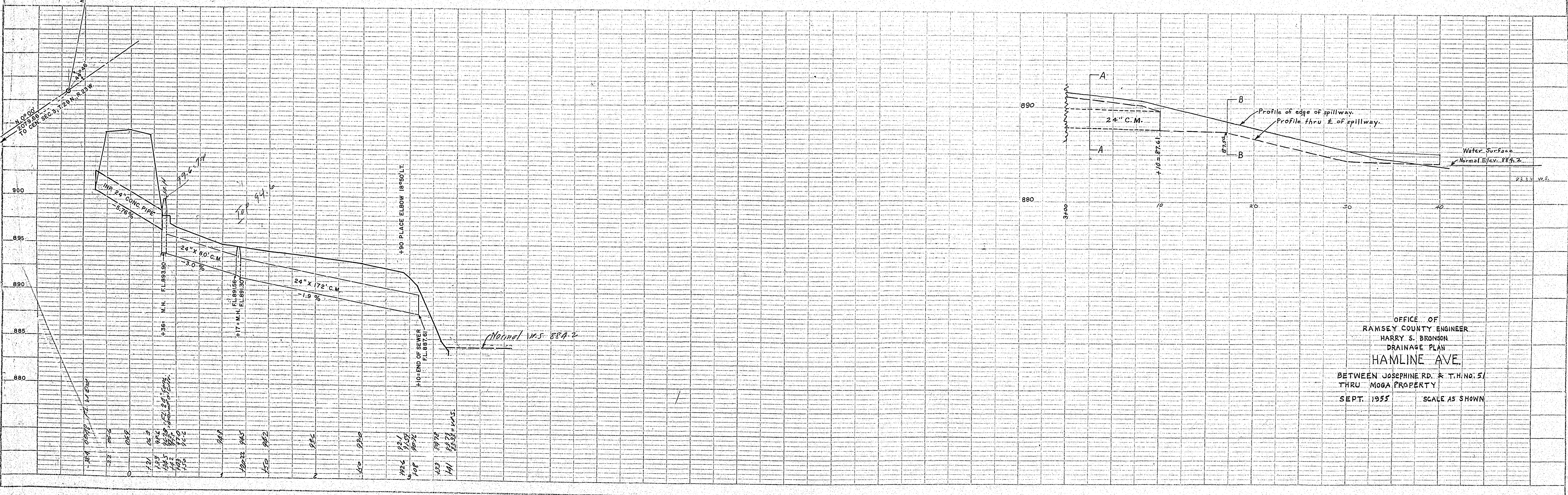
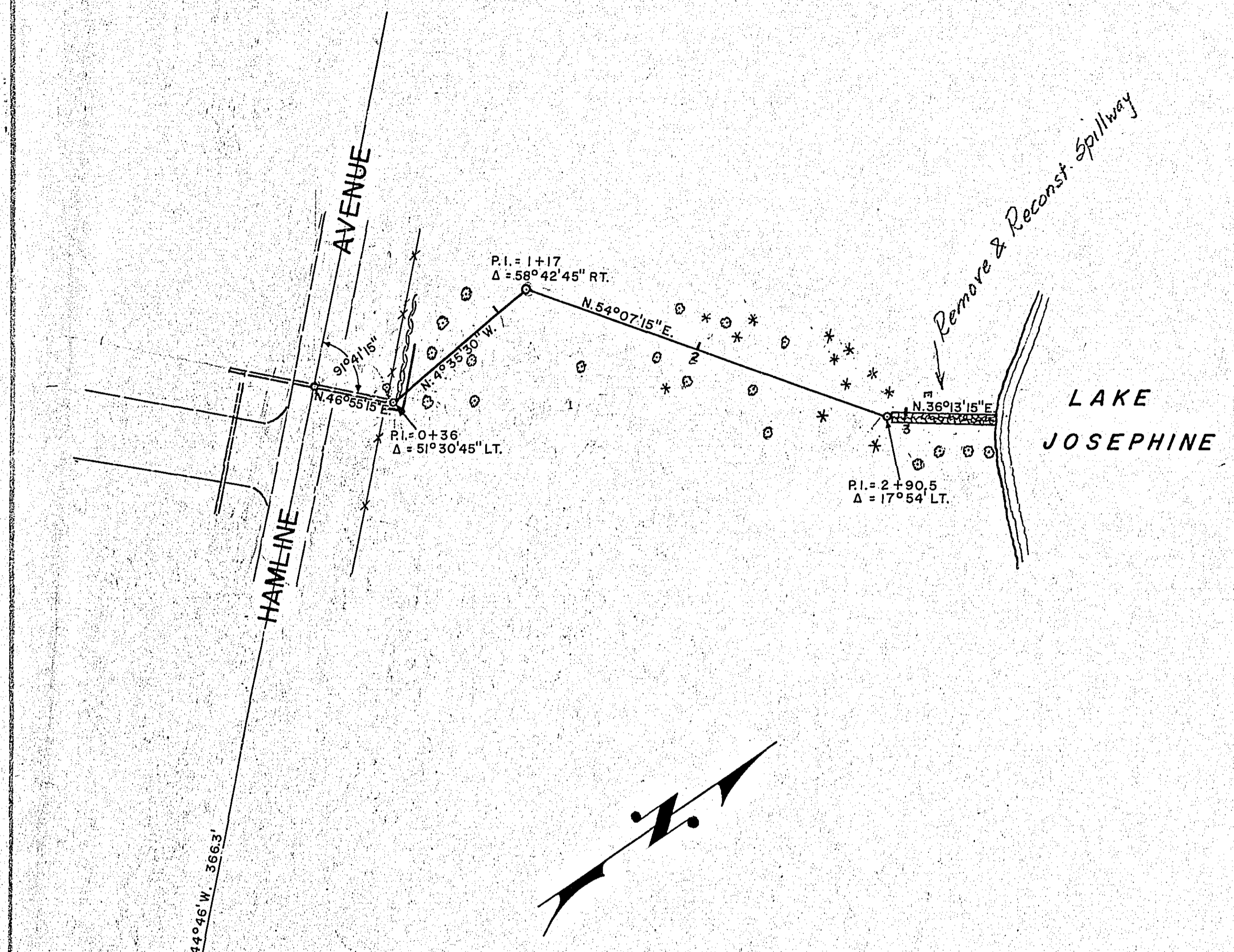
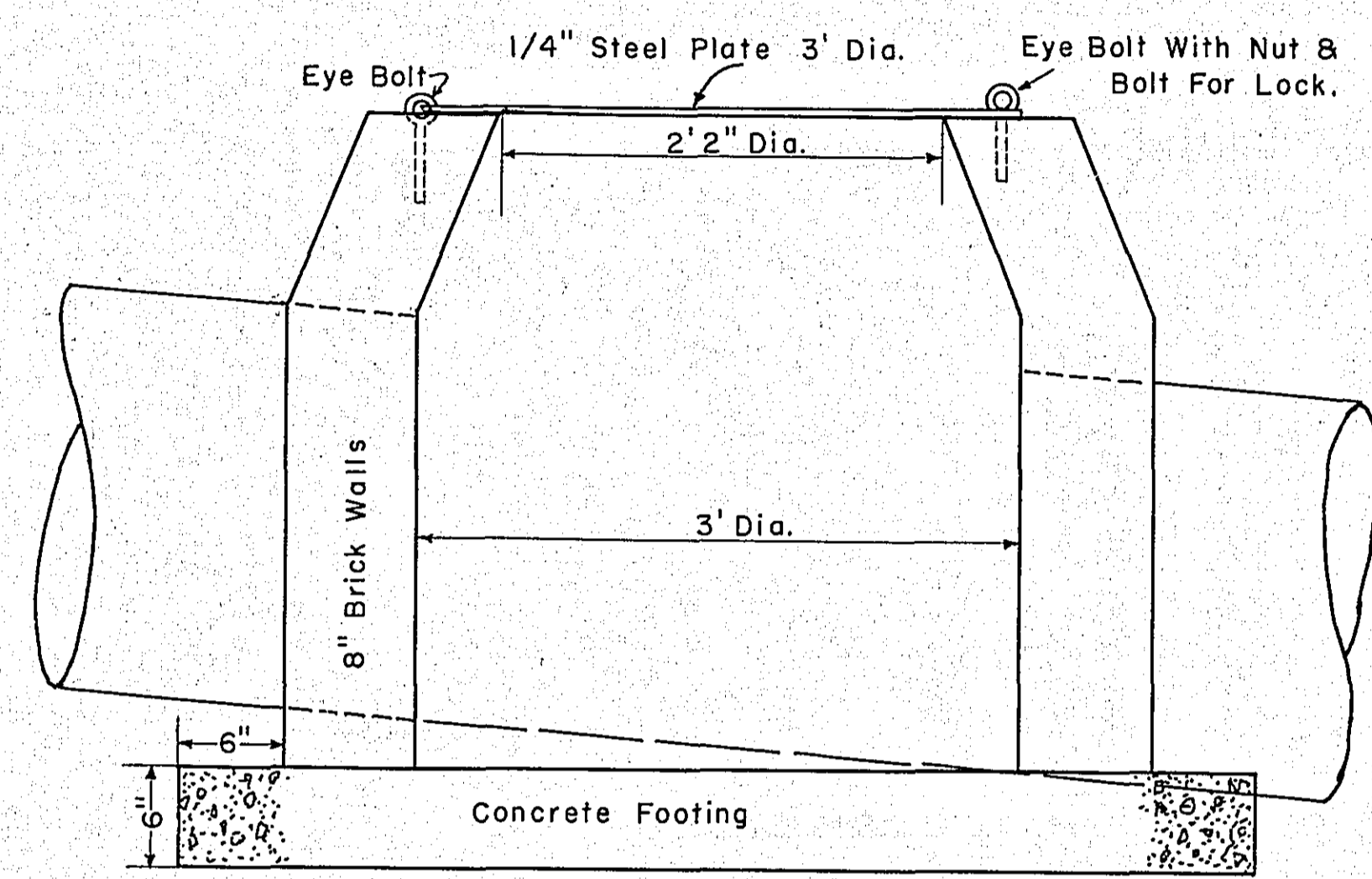
TYPICAL SPILLWAY SECTIONS



24" C.M.
SECTION A-A



SECTION B-B



OFFICE OF
RAMSEY COUNTY ENGINEER
HARRY S. BRONSON
DRAINAGE PLAN
HAMLINE AVE.
BETWEEN JOSEPHINE RD. & T.H. NO. 5/
THRU MOGA PROPERTY
SEPT. 1955 SCALE AS SHOWN

NO. 10
DATE
BY
CHECKED
DATE
BY
SCALE

NO. 10
DATE
BY
CHECKED
DATE
BY
SCALE