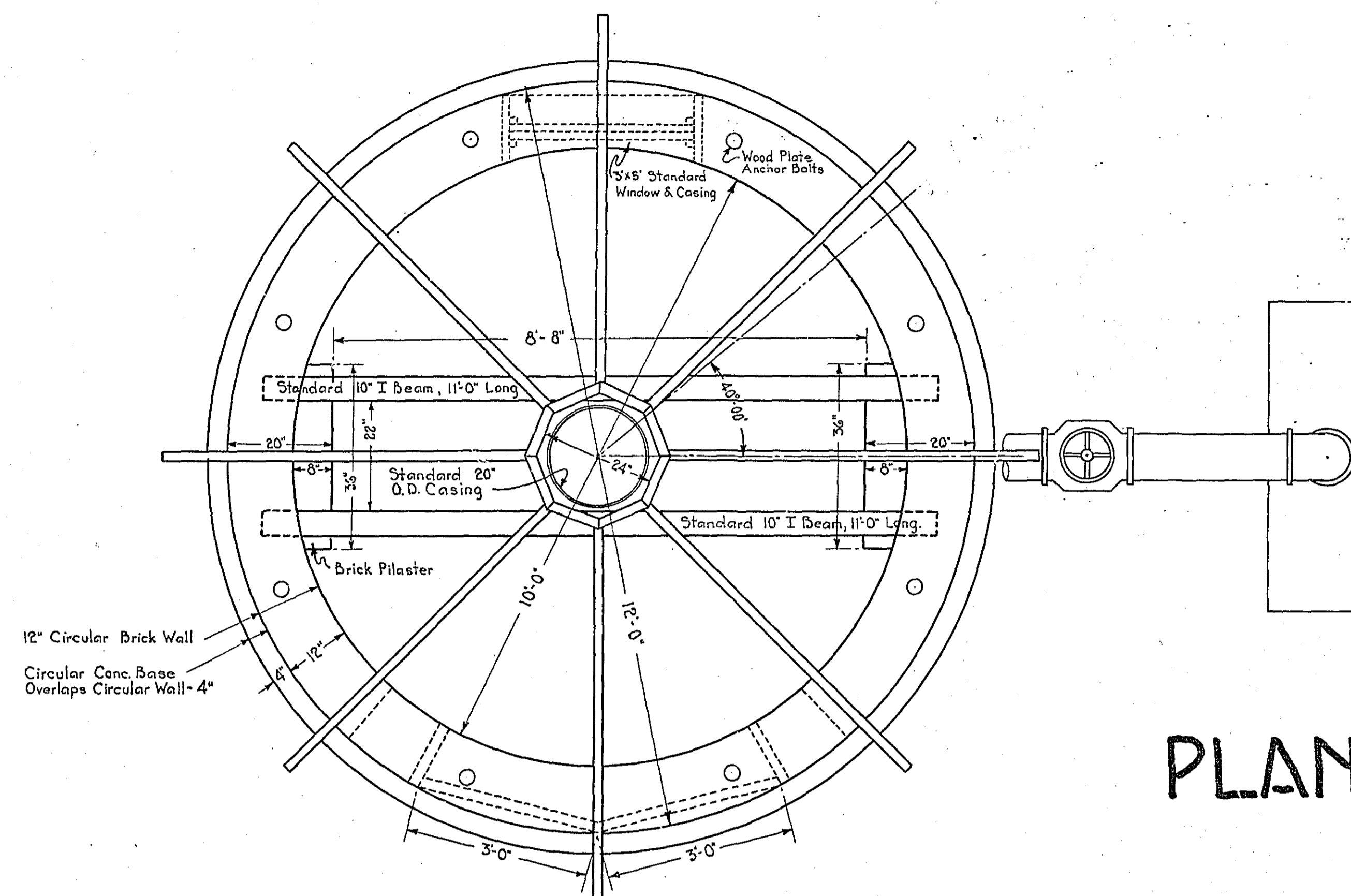


**SNAIL LAKE  
WELL**

**RAMSEY COUNTY  
LAKE IMPROVEMENT  
PROJECT 27-01**

PAUL N. COATES  
COUNTY ENGINEER.



PLAN with ROOF BOARDS REMOVED

NOTE:  
The discharge Pipe Connection on to pump proper shall be a screw coupling.

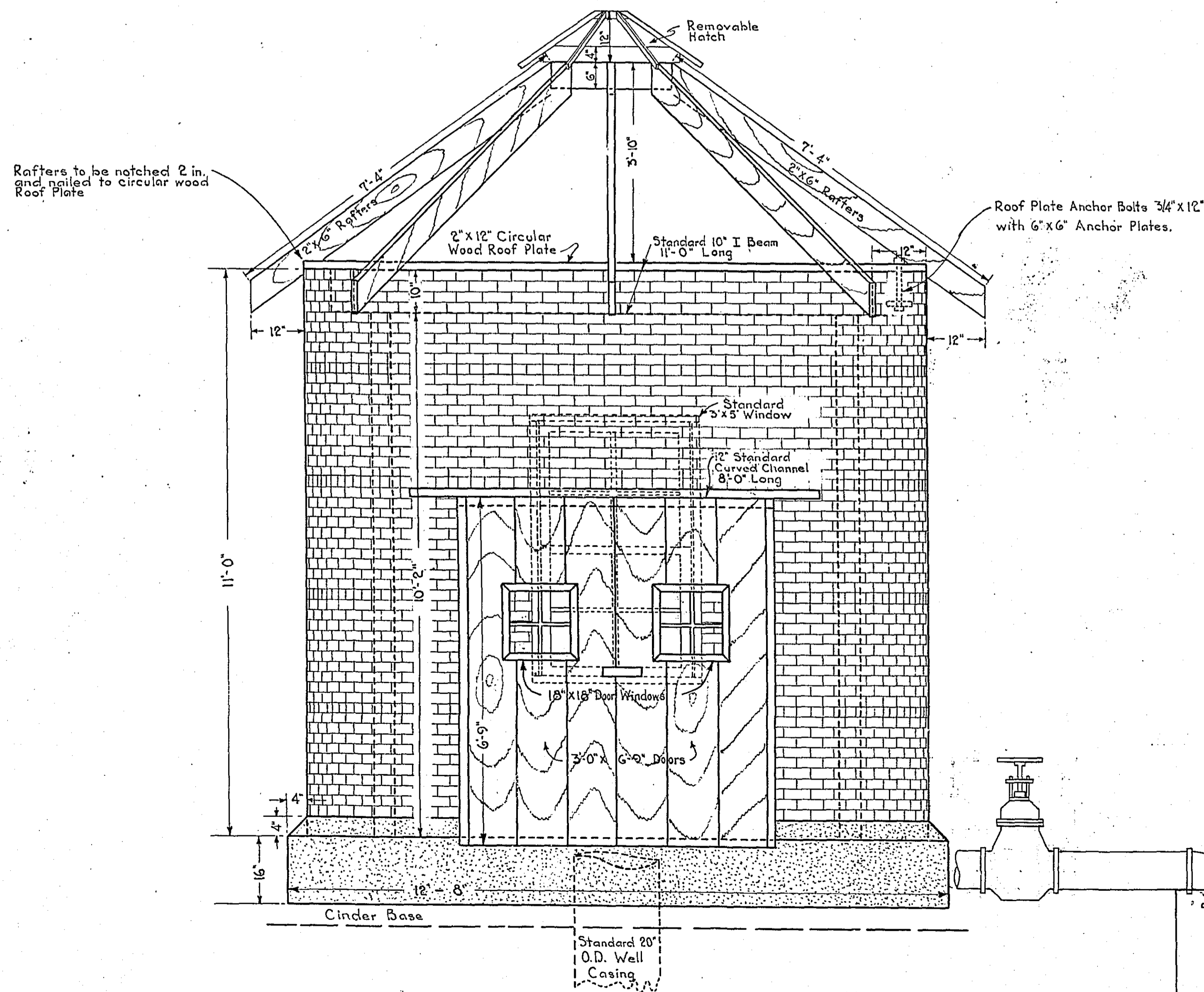
STANDARD WEIR BOX TO BE CONSTRUCTED BY RAMSEY COUNTY

# PLAN FOR PROPOSED PUMPHOUSE AT SNAIL LAKE

OFFICE OF RAMSEY COUNTY ENGINEER

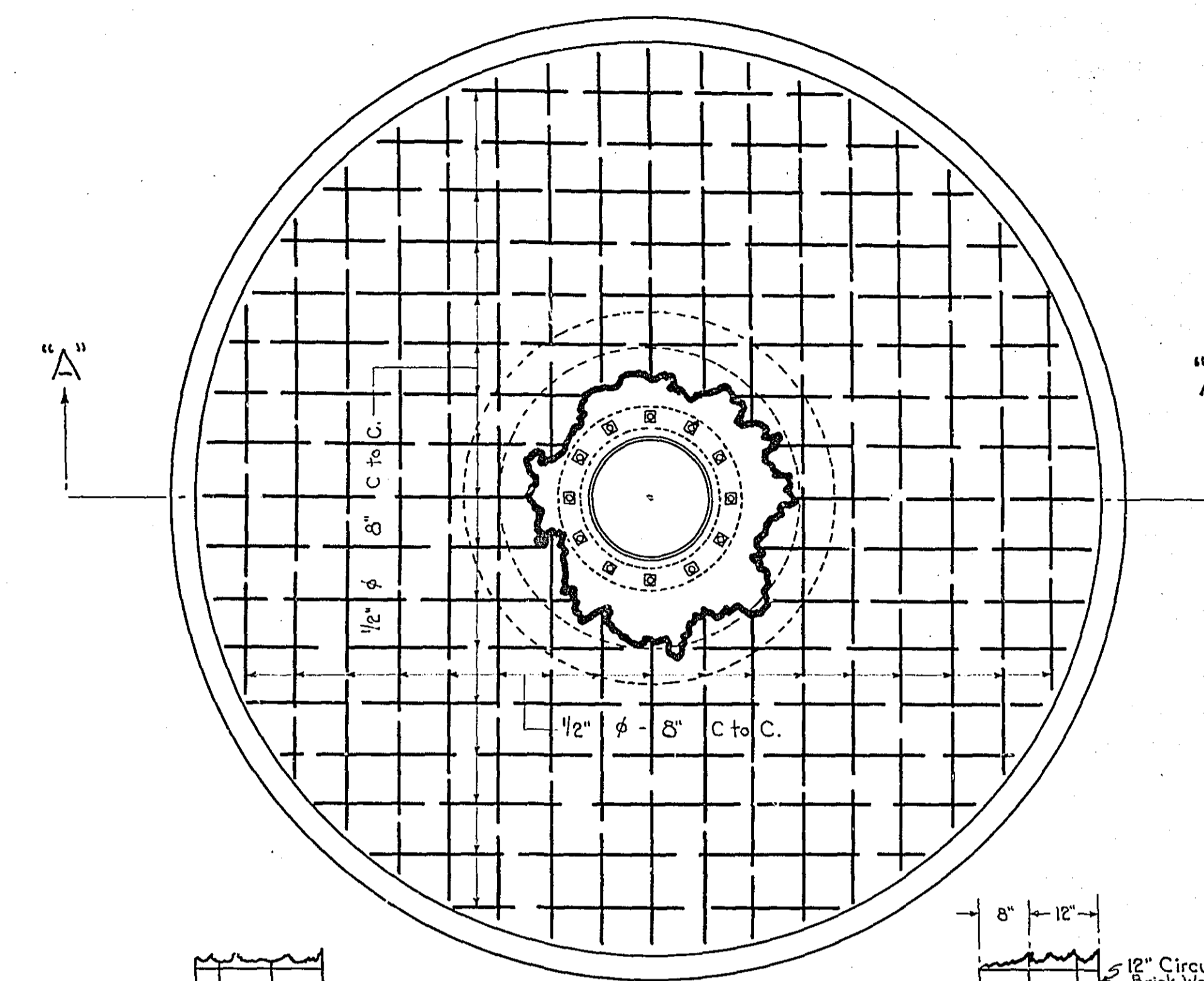
PAUL N. COATES  
COUNTY ENGINEER

SCALE 1 in. = 2 ft.



ELEVATION with ROOF BOARDS REMOVED.

STANDARD WEIR BOX TO BE CONSTRUCTED BY RAMSEY COUNTY

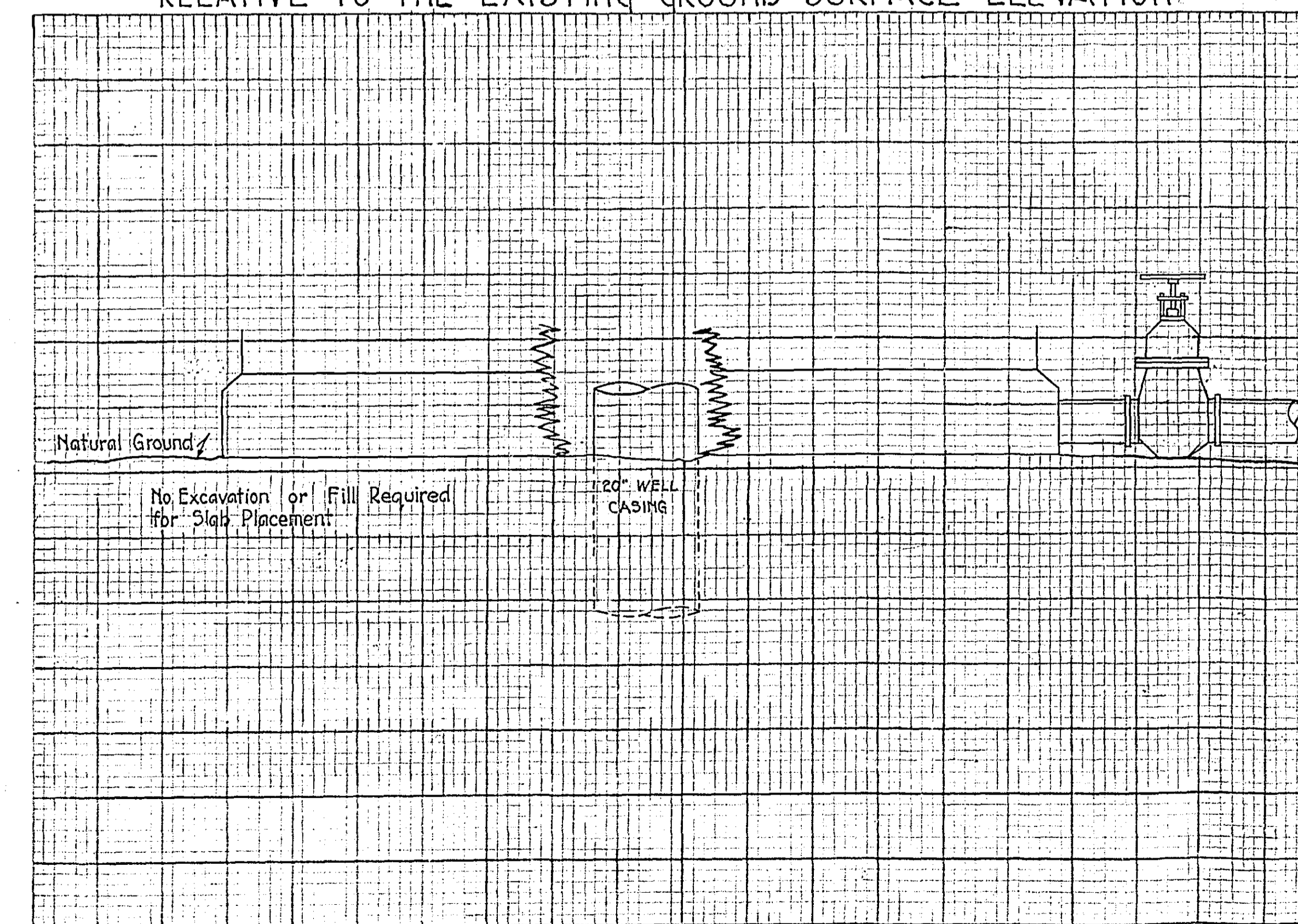


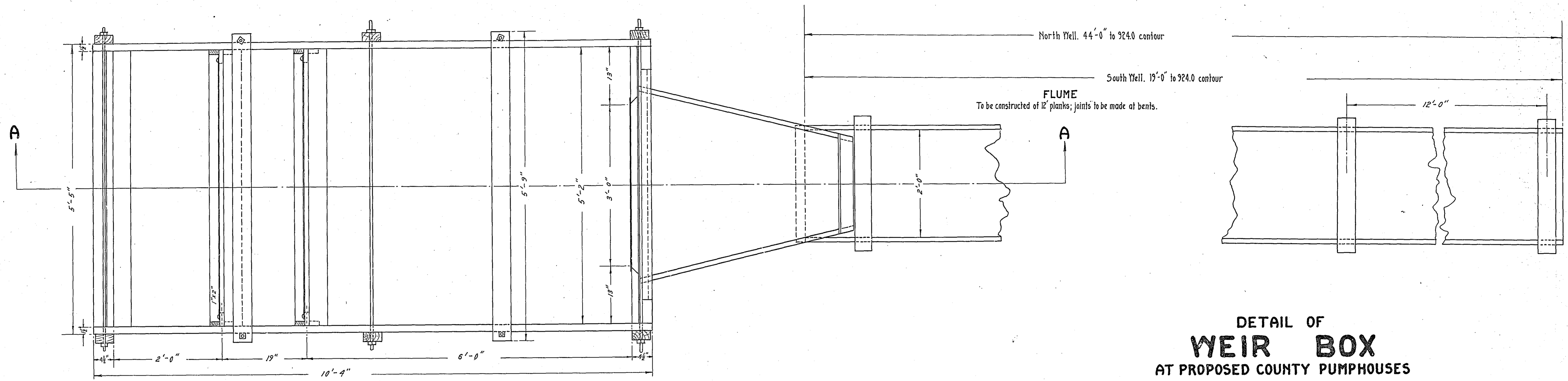
NOTE: Broken center section of floor slab left open for Contractor's plans for pump head discharge pit.

NOTE: Showing section of 4" circular steel plate 1" thick bolted in place on standard 20" flange and imbedded in floor slab.

CONCRETE FLOOR SLAB REINFORCEMENT DETAIL  
AND  
SECTION THRU "A"-A"

CROSS SECTION SHOWING THE PUMP DISCHARGE  
RELATIVE TO THE EXISTING GROUND SURFACE ELEVATION

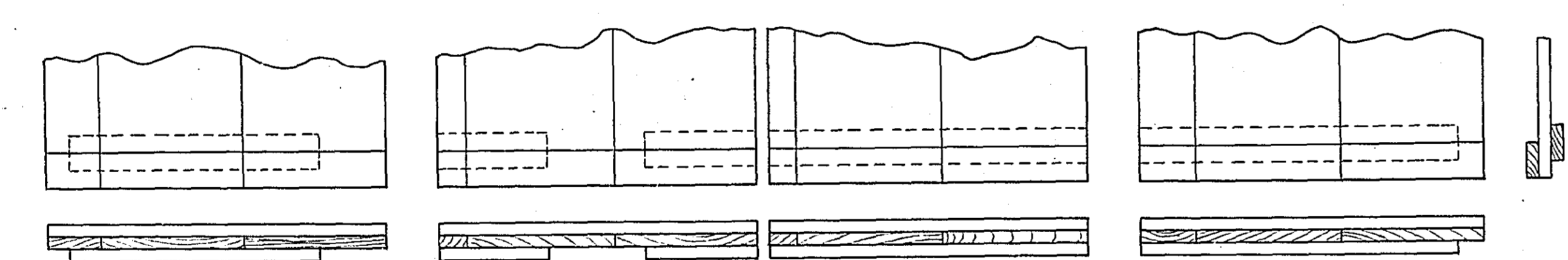




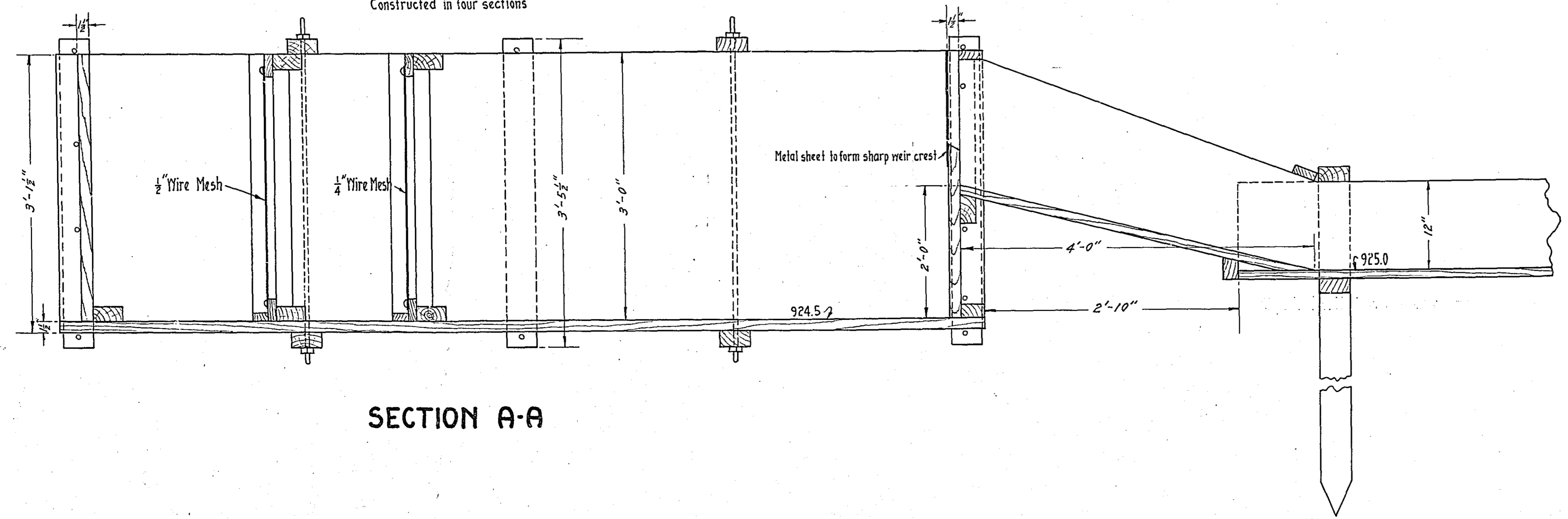
PLAN

DETAIL OF  
**WEIR BOX**  
 AT PROPOSED COUNTY PUMPHOUSES  
 WHITE BEAR LAKE WELLS  
 Scale: 1" = 1'  
 OFFICE OF RAMSEY CO. ENGINEER  
 DEPT. OF LAKE IMPROVEMENT  
 MARCH, 1924

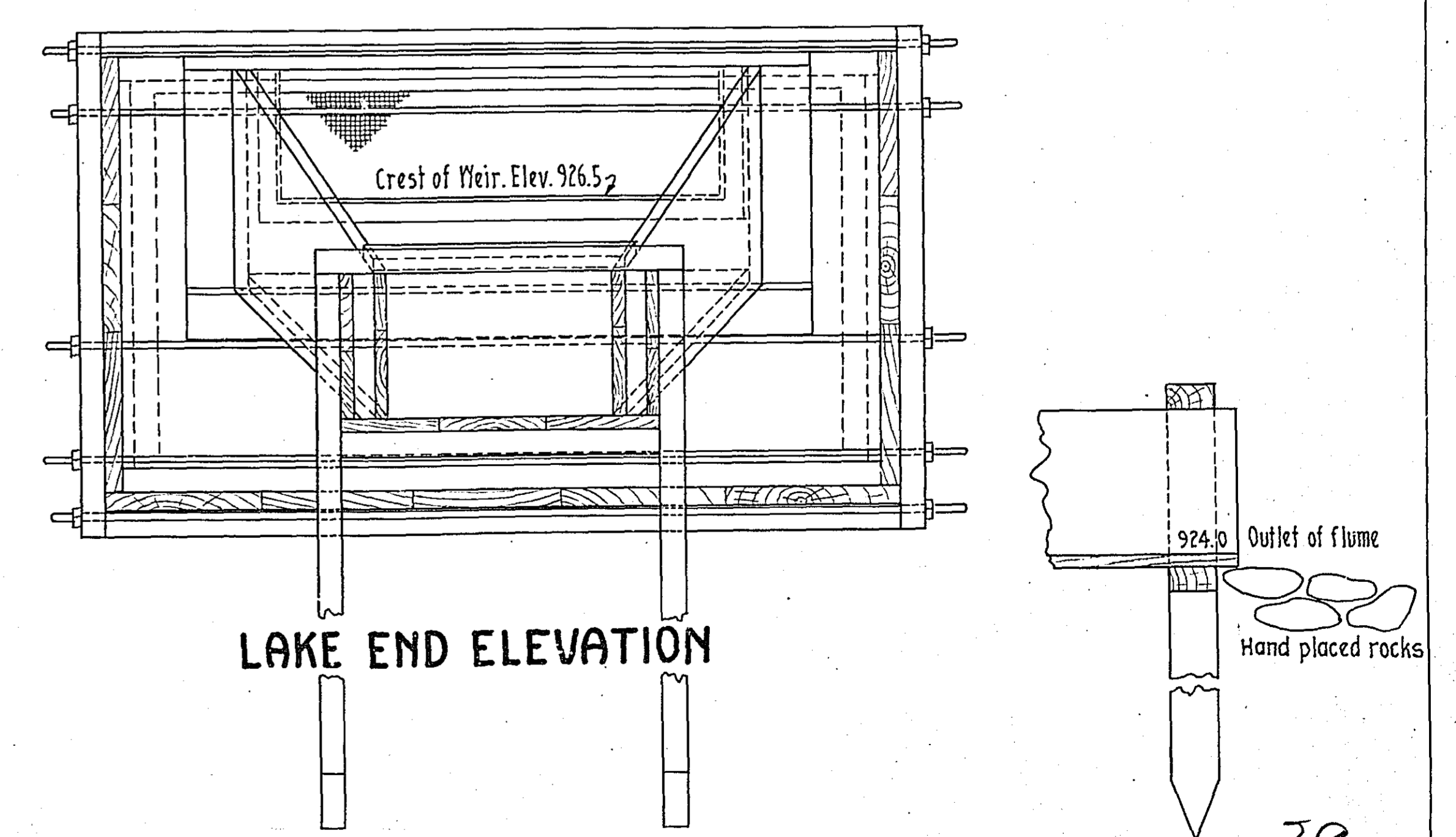
THIS DETAIL APPLIES TO ALL PROPOSALS



COVER  
 Constructed in four sections



SECTION A-A



LAKE END ELEVATION

Section & Plan of Proposed Pump Sump  
for  
Snail Lake Well.  
5-20-27

