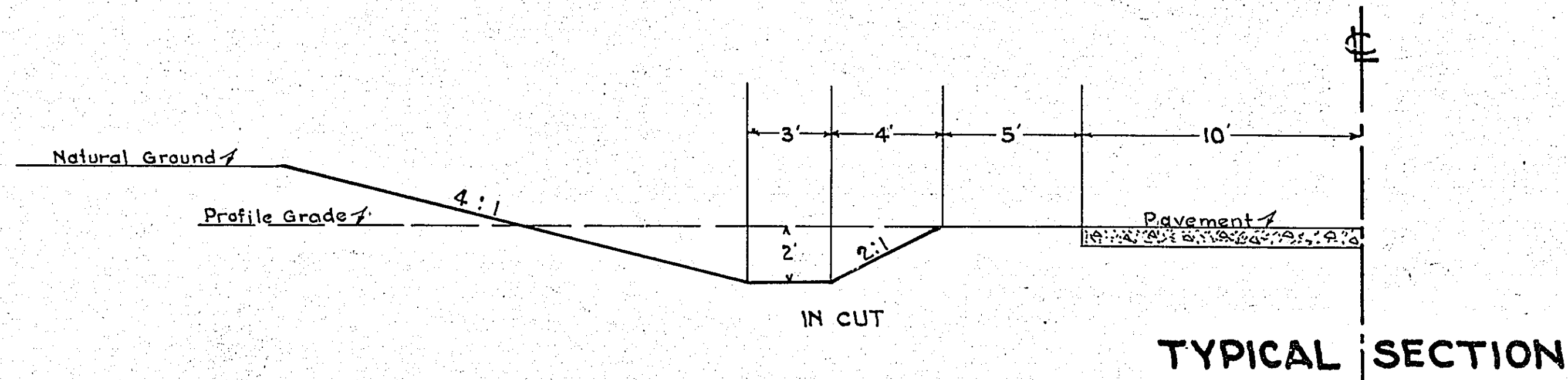
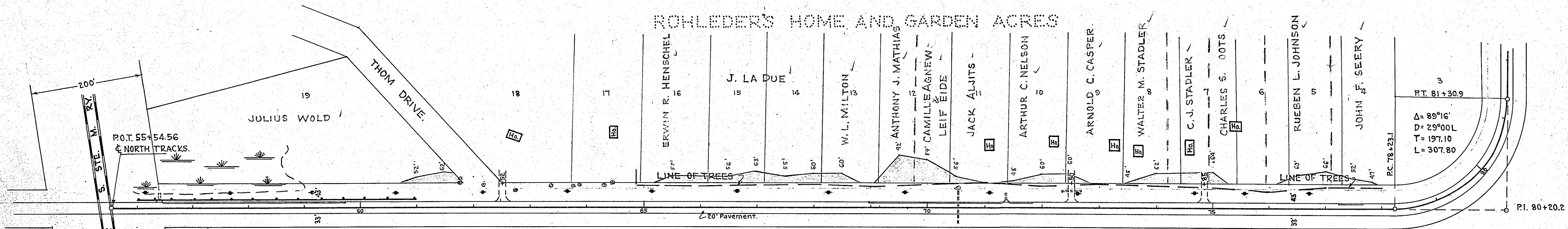


56+41 Lt.
Inp. Spillway With
12'x10' C.M.

70+53 E 71+36 Lt. 72+50 Lt.
Inp. 24x56 Conc. Culv. Inp. Spillway With Inp. 15'x30' C.M.
O.K. Leave & 12'x10' C.M.
Pl. Manhole With
Grate Cover

PLAN	SURVEYED	DATE
	NOTE BOOK	
	ALIGNMENT CHECKED	
	RT. OF WAY CHECKED	
	NO.	



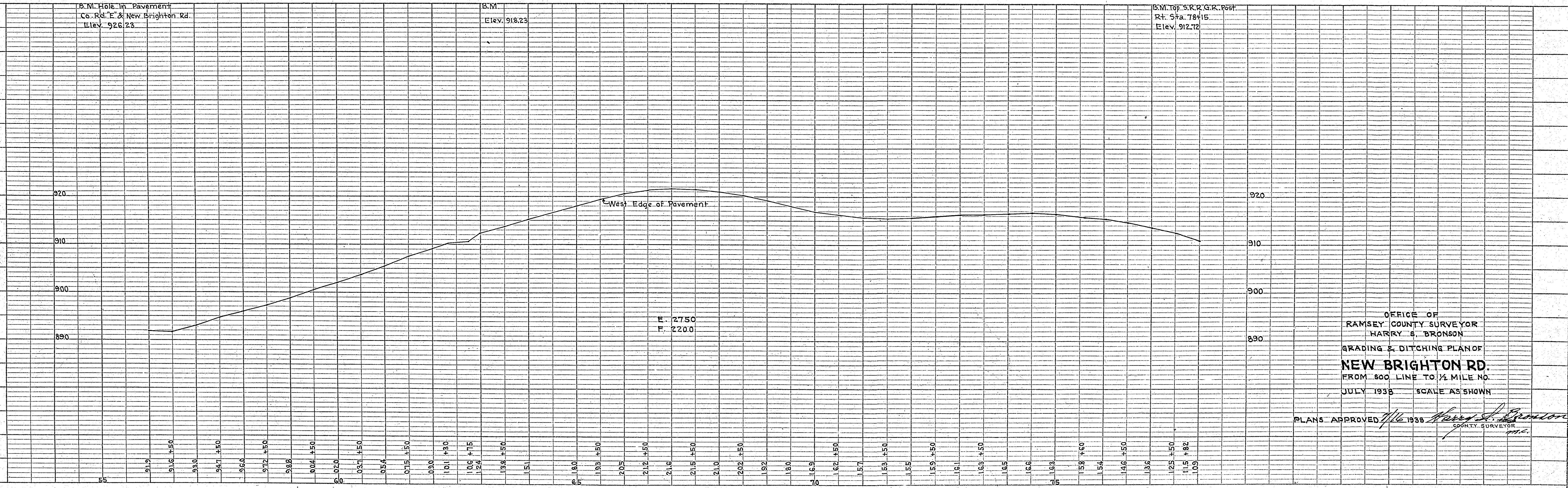
NOTE: DRIVEWAYS AND CULVERTS
TO BE PLACED AS DIRECTED
BY THE ENGINEER.

PROFILE	SURVEYED	DATE
	NOTE BOOK	
	ALIGNMENT CHECKED	
	B.M. NOTED	
	STRUCTURE NOTATION CHECKED	
	NO.	

B.M. Hole in Pavement
Co. Rd. E & New Brighton Rd.
Elev. 926.23

B.M.
Elev. 918.23

B.M. Top S.R.R. G.R. Post
Rt. Sta. 78+15
Elev. 912.72



OFFICE OF
RAMSEY COUNTY SURVEYOR
HARRY S. BRONSON
GRADING & DITCHING PLAN OF
NEW BRIGHTON RD.
FROM 800 LINE TO 1/2 MILE NO.
JULY 1938 SCALE AS SHOWN

PLANS APPROVED *Harry S. Bronson*
COUNTY SURVEYOR