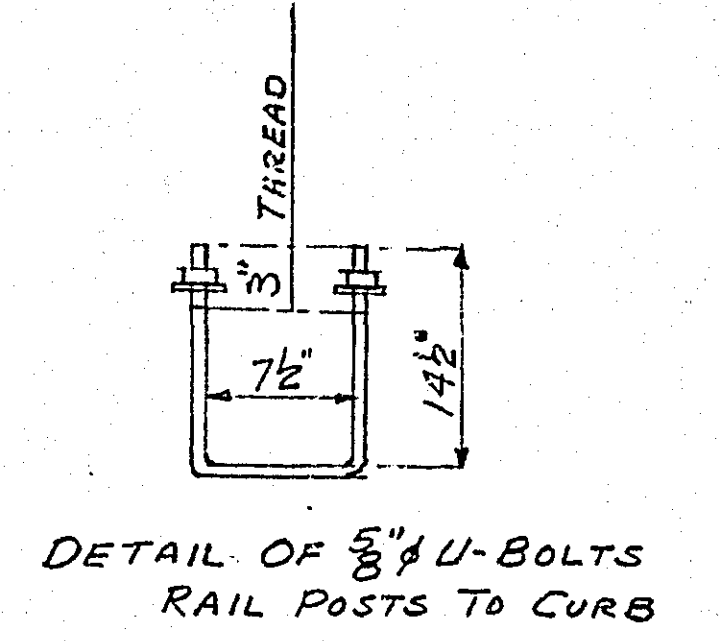
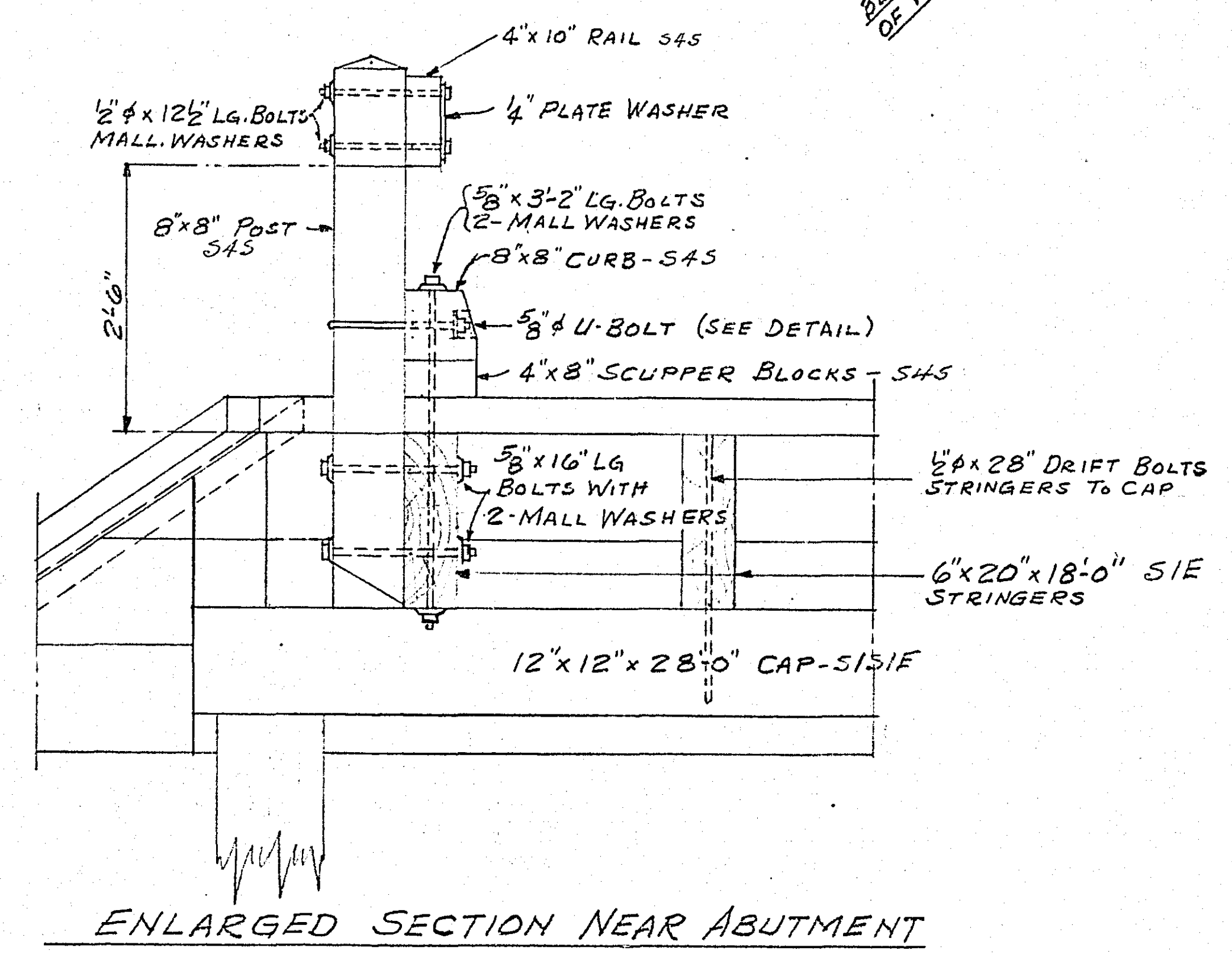
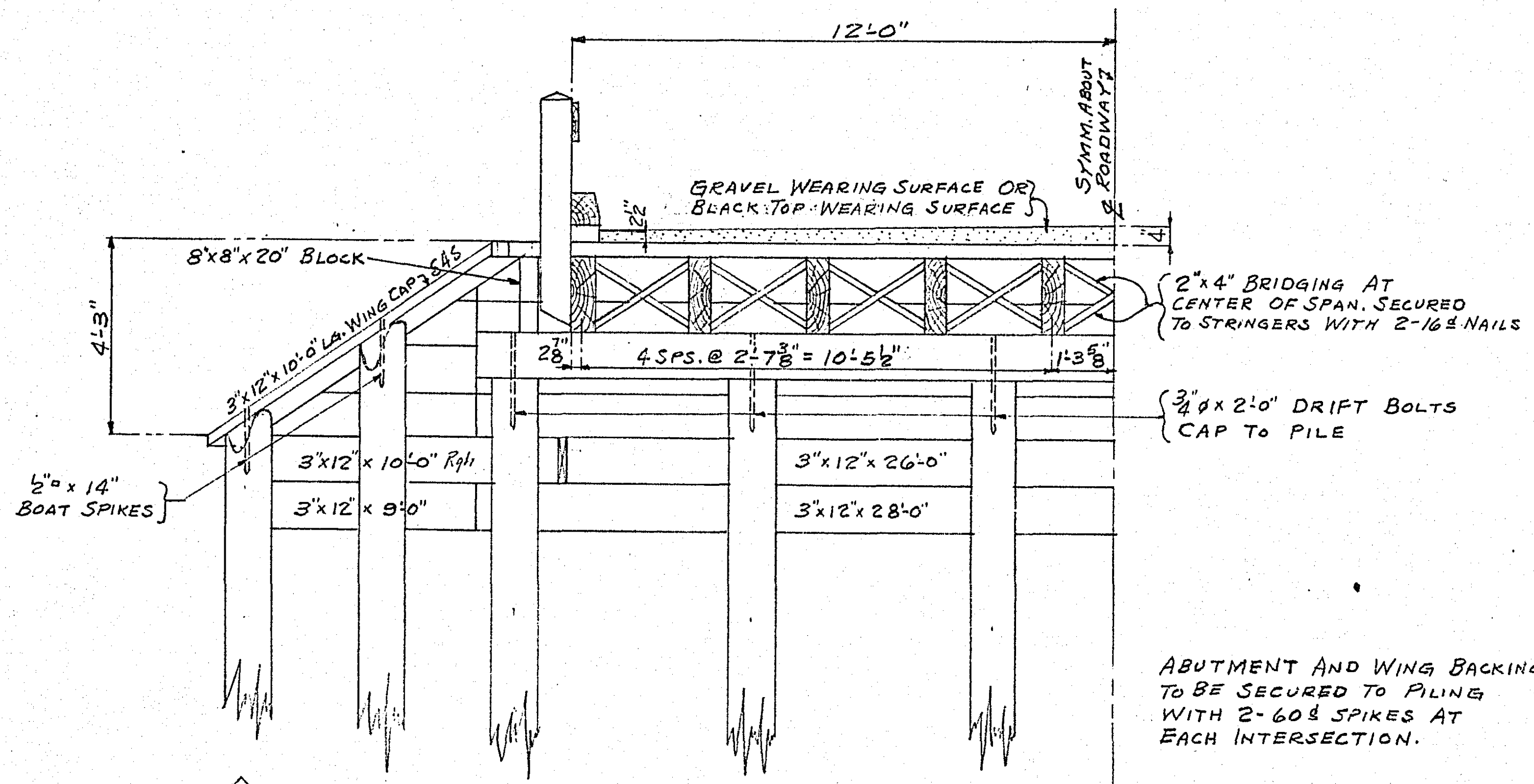
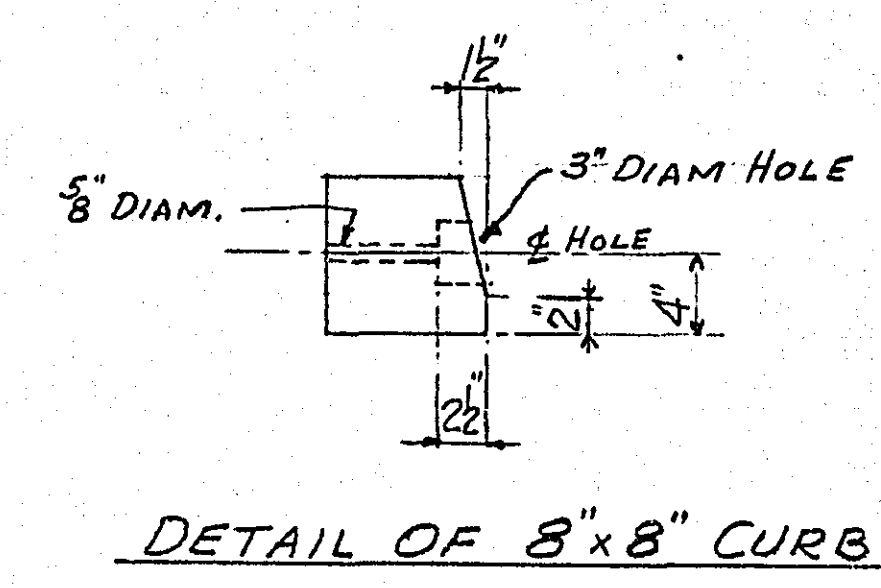
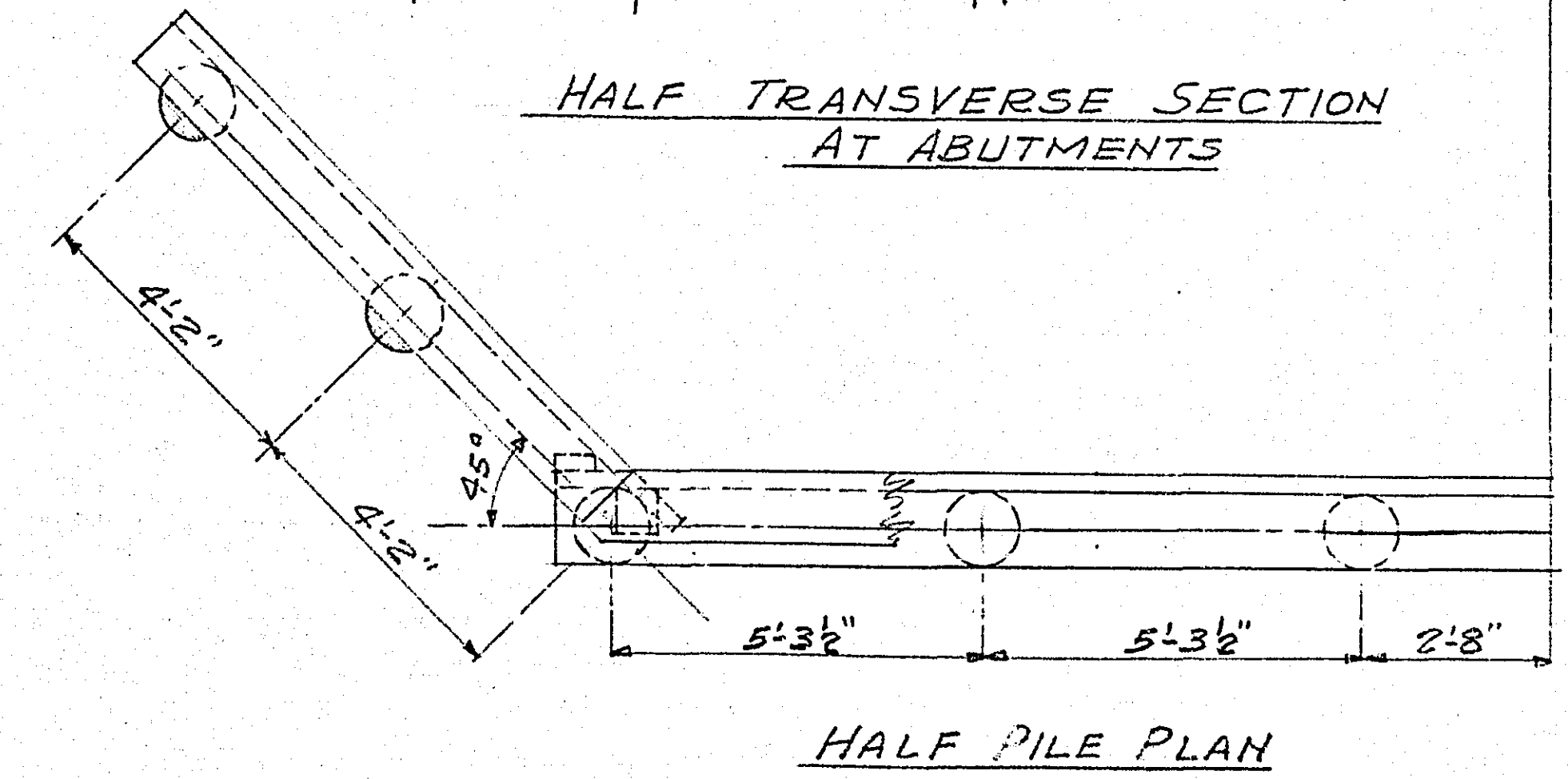


NAILING OF FLOOR
 USE 40# GALVANIZED SPIKES @ 24" CTRS. IN UPPER PART OF EACH PIECE - SPIKES HORIZONTAL, STAGGERED EIGHT (8) INCHES WITH THE SPIKES IN THE ADJACENT STRIP. TOE NAIL EACH PIECE AT BOTTOM TO ALTERNATE STRINGERS - STAGGERING FROM PIECE TO PIECE, USING 16# NAILS



ABUTMENT AND WING BACKING TO BE SECURED TO PILING WITH 2-60# SPIKES AT EACH INTERSECTION.

CREOSOTED PILES:
 DRIVE 1-30' TEST AS DIRECTED
 BALANCE 19-PCS. ESTIMATED 25' LONG



OFFICE OF
 RAMSEY COUNTY SURVEYOR
 EMIL H. SCHULZ
 PLAN OF 16 FOOT TIMBER BRIDGE
 COUNTY ROAD "J" OVER RICE CREEK
 24 FT. ROADWAY 1937
 APPROVED *Emil H. Schulz* 3/13 1937
 COUNTY SURVEYOR
 APPROVED BY COUNTY BOARD *April 15 1937*
 CLERK OF COUNTY BOARD