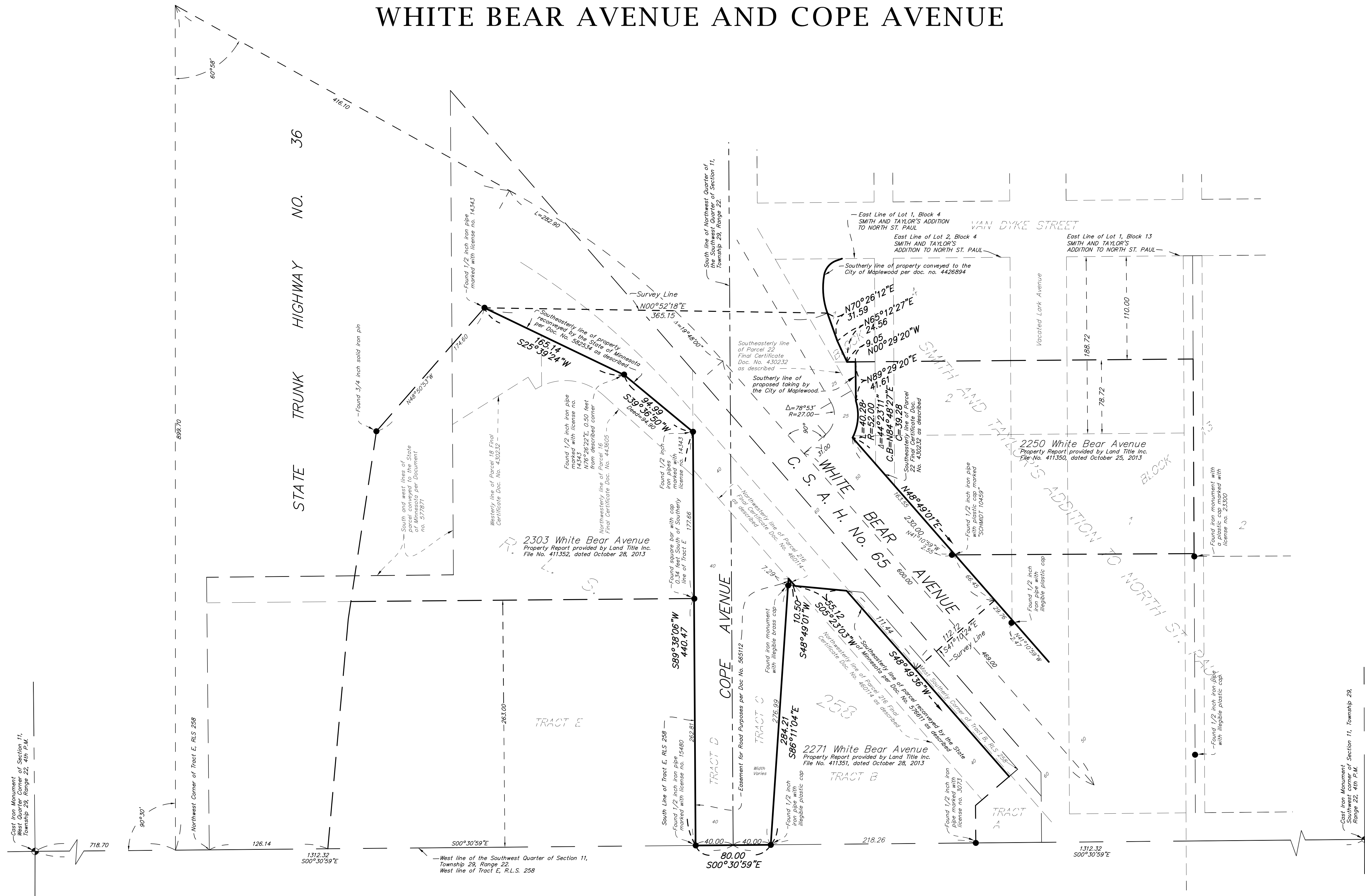


# RIGHT OF WAY EXHIBIT WHITE BEAR AVENUE AND COPE AVENUE

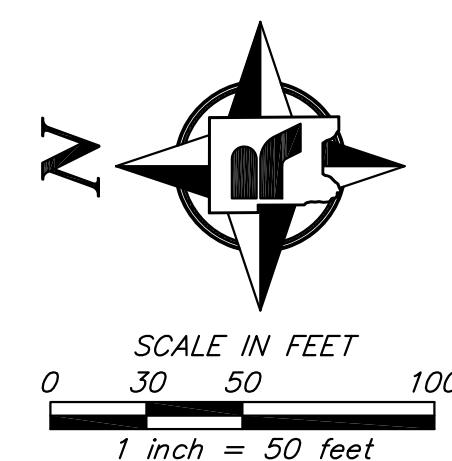


**NOTES**

The bearings shown on this survey are based on the Ramsey County Coordinate System NAD83 (1986), where the west line of the Southwest Quarter of Section 11, Township 29 North, Range 22 West bears South 00 degrees 30 minutes 59 seconds East.

Right of way beyond the survey lines is shown for graphical purposes only.

For details concerning this Certificate of Survey contact the Ramsey County Surveyors Office.



**LEGEND**

● Denotes Found Monument as described hereon.