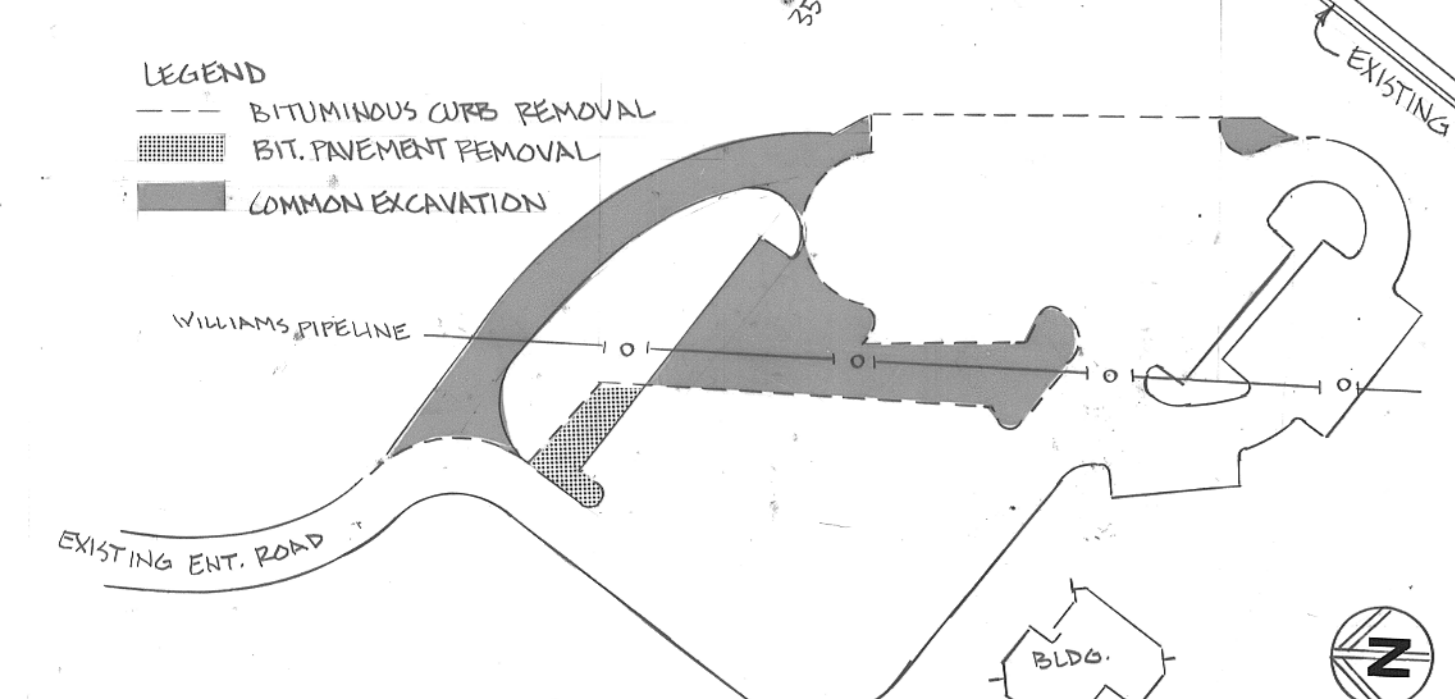
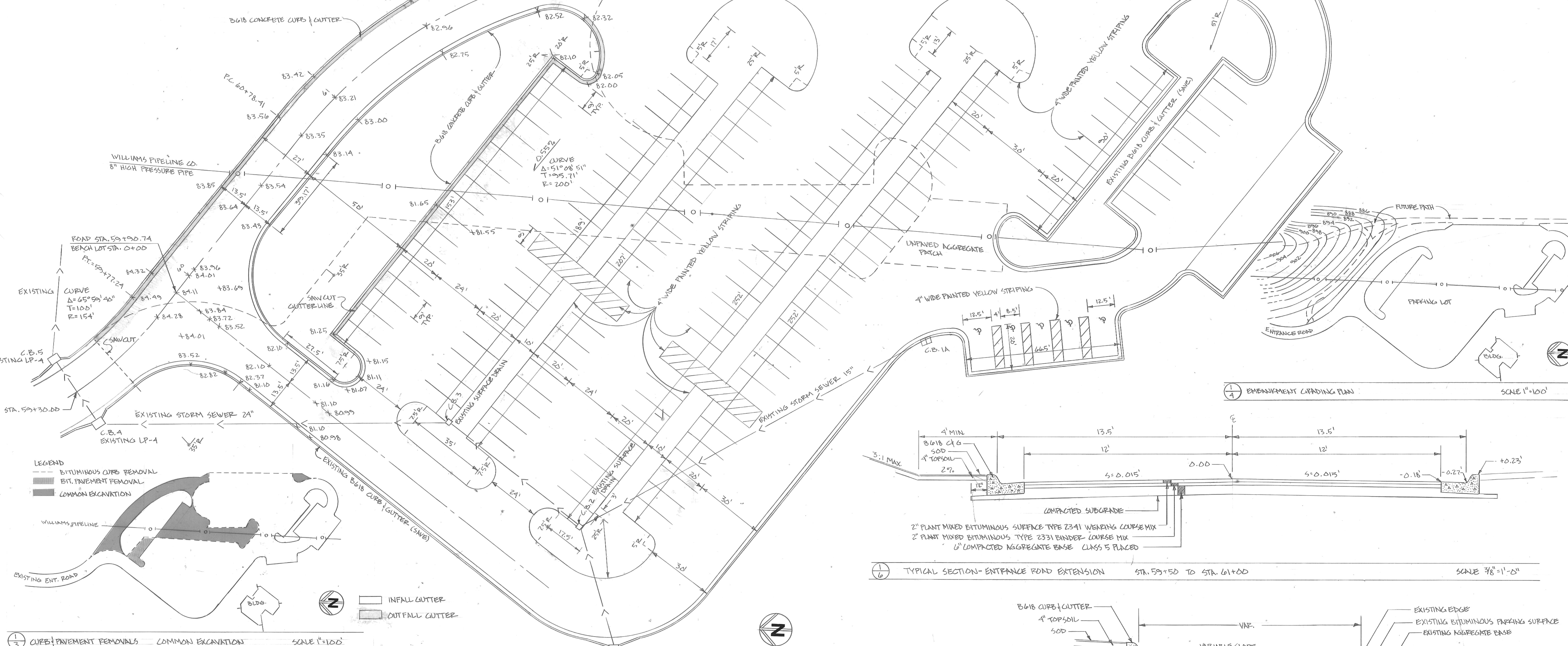
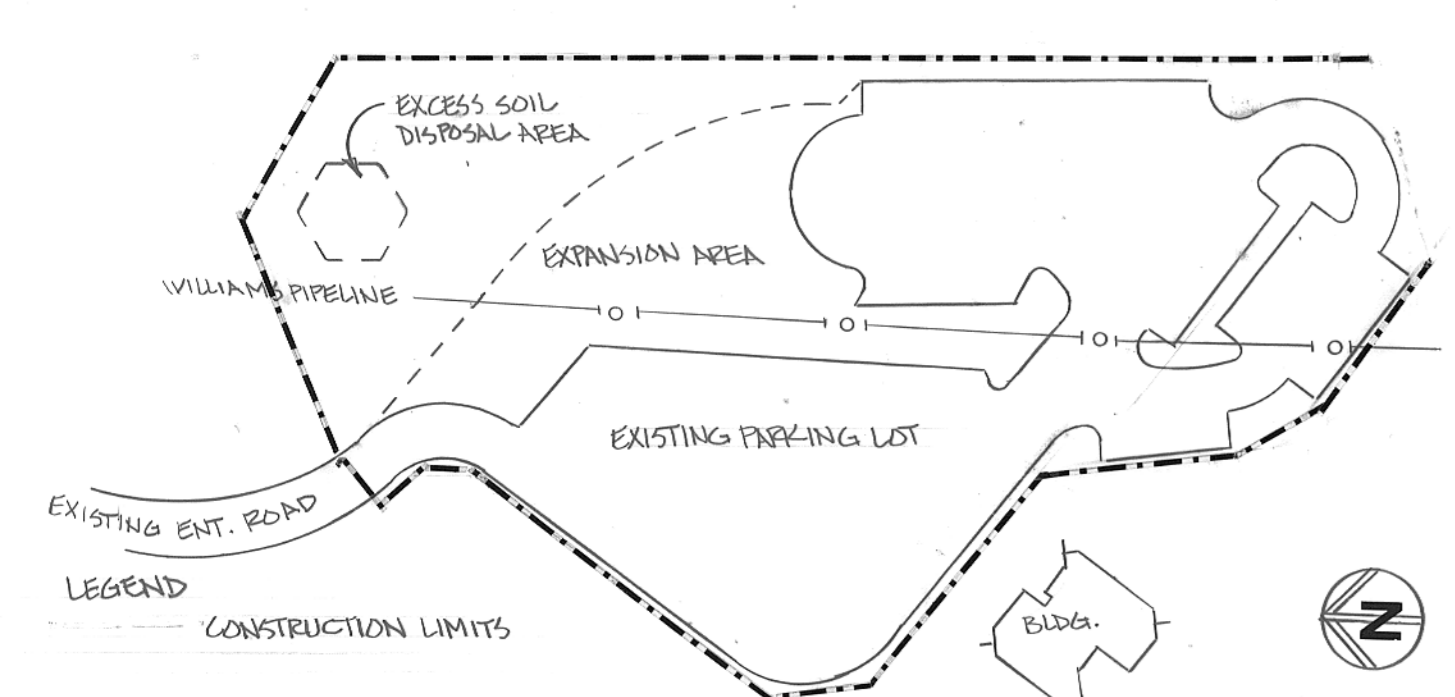


LEGEND  
 BITUMINOUS PAVEMENT  
 SOD  
 SEED MIX. TOP SOIL PLACEMENT

1/5 BITUMINOUS PAVEMENT & TURF ESTABLISHMENT PLAN SCALE 1"=100'



1/3 CURB & PAVEMENT REMOVALS - COMMON EXCAVATION SCALE 1"=100'



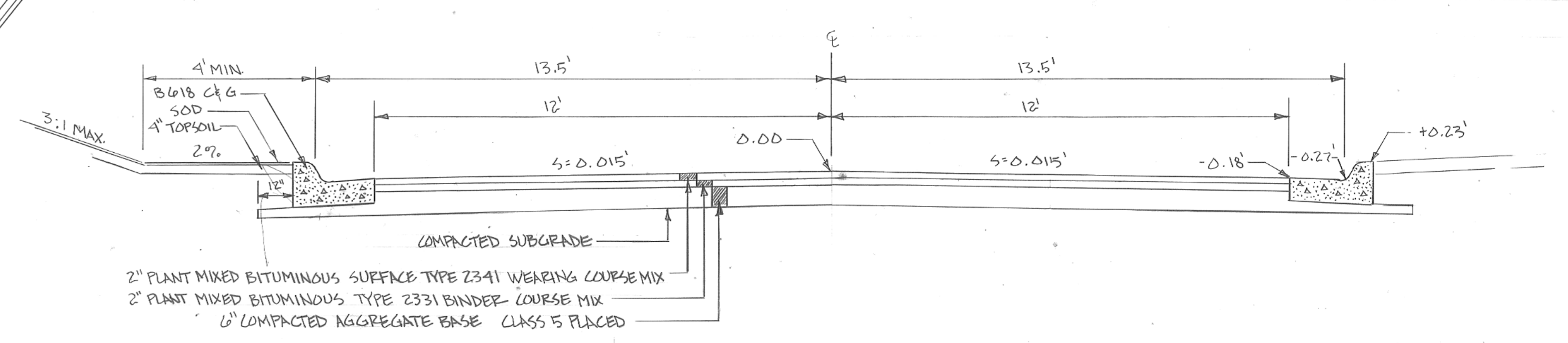
1/2 CONSTRUCTION LIMITS & SOIL DISPOSAL AREA SCALE 1"=100'

1/4 SWIMMING BEACH PARKING LOT RECONSTRUCTION PLAN SCALE 1"=20'

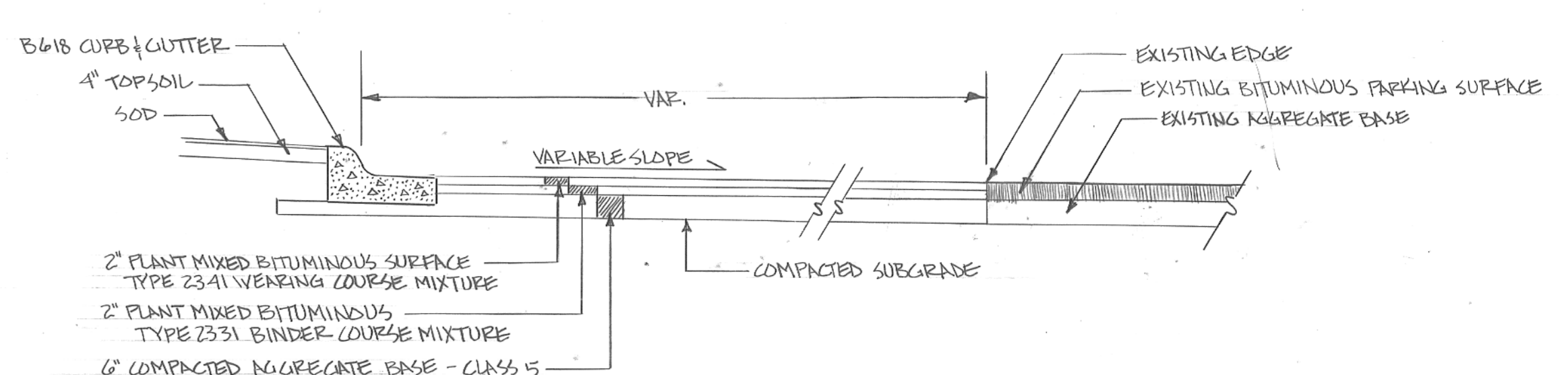
- CONSTRUCTION NOTES:
1. DIMENSIONS ARE TO FACE OF CURB AT CUTTERLINE OF CENTERLINE OF STRIPING.
  2. TRANSVERSE SLOPE ON CURBS SHALL MATCH GRADES ON ADJACENT BITUMINOUS SURFACES.
  3. COMPACTION OF EMBANKMENT, SUBGRADE, AGGREGATE BASE AND BITUMINOUS COURSES SHALL BE BY THE METHOD OF "QUALITY COMPACTION".
  4. PROVIDE A TACK COAT, SPEC. 2357.2A, BETWEEN ALL BITUMINOUS COURSES AND CONCRETE EDGES.
  5. THE PARKING LOT SHALL BE STRIPED ACCORDING TO THE PLAN.
  6. ALL MEDIUM ISLANDS SHALL BE SURFACED WITH TOPSOIL AND SOD.

PROJECT NOTE:  
 THIS PROJECT DOES NOT INCLUDE PAVEMENT STRIPING THAT IS SHOWN ON THIS PLAN SHEET.

1/4 EMBANKMENT GRADING PLAN SCALE 1"=100'



1/6 TYPICAL SECTION - ENTRANCE ROAD EXTENSION STA. 59+50 TO STA. 61+00 SCALE 3/8"=1'-0"



1/7 TYPICAL SECTION - PARKING LOT SCALE 3/8"=1'-0"

I HEREBY CERTIFY THAT THIS PLAN WAS PREPARED BY ME OR UNDER MY DIRECT SUPERVISION AND THAT I AM A DULY REGISTERED LANDSCAPE ARCHITECT UNDER THE LAWS OF THE STATE OF MINNESOTA.

*Samuel C. Jensen*

DATE 12-15-99 REG. NO. 12262